

不鏽鋼平搭扣

Stainless steel flat buckle



DK-061



商品介紹 Product description

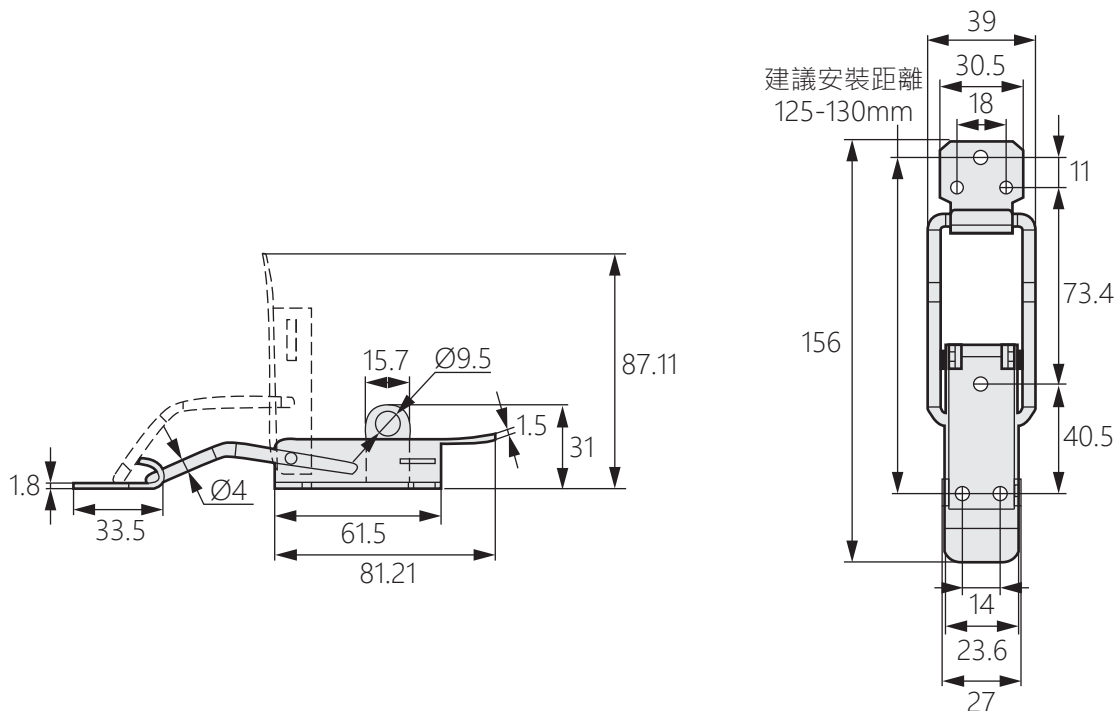
開啟時，按下旁邊鎖定銷釘。

- 材質：不鏽鋼SUS304
- 表面處理：震動研磨
- 用途：櫃門、電箱電櫃等

To open, press the side locking pin.

- Material: Stainless steel SUS304
- Finish: Vibration grinding
- Uses: Oven equipment, test chambers, etc.

〔DK-061-1〕有掛鎖



〔DK-061-2〕無掛鎖

