

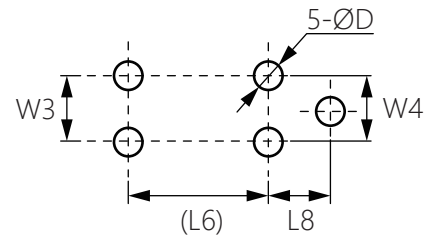
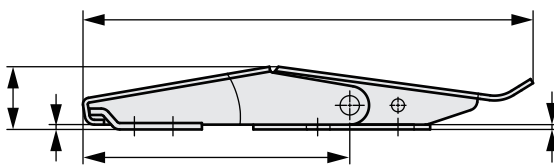
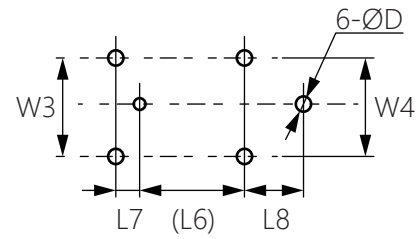
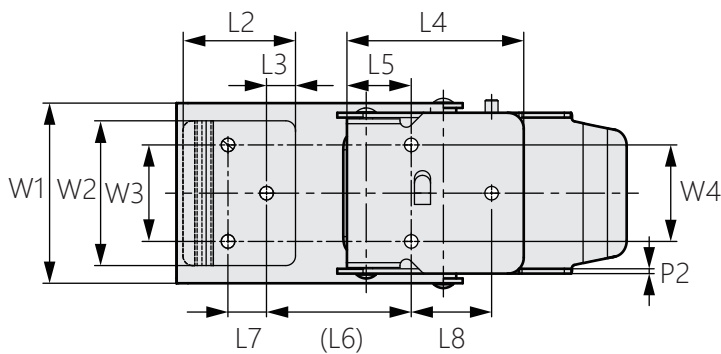
商品介紹 Product description

由不銹鋼製成，經久耐用且耐腐蝕。

- 材質：不鏽鋼(SUS304)
- 表面處理：滾筒拋光
- 用途：控制面板、工業機械等

Made of stainless steel for durability and corrosion resistance.

- Material: Stainless(SUS304)
- Finish: Barrel polishing
- Uses: Control panel, Industrial machinery, etc.



商品型號	L1	L2	L3	L4	L5	L6	L7	L8	L9	W1	W2	W3	W4	H1	P1	P2	P3	D
DK-063-1	140	35	9	55	20	45	12	25	83	56	45	30	30	19.5	1.5	1.5	2	4.2
DK-063-2	100	26	5.5	39	14	29	10	18	61	40	30	20	20	15	1.5	1.2	1.5	4.2
DK-063-3	75	18.5	4.5	30	14.5	26.5	5	11	46	30	24	15.5	16	12.5	1.2	1	1.2	4.2
DK-063-4	53.4	13.4	5	23.6	11.6	20.6	-	9	35.2	20	15.6	9	9	9.5	0.8	0.8	0.8	3.2