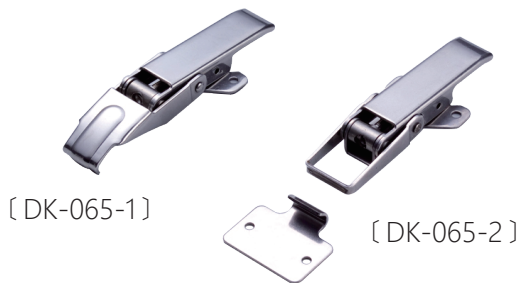


不鏽鋼搭扣

Stainless steel buckle



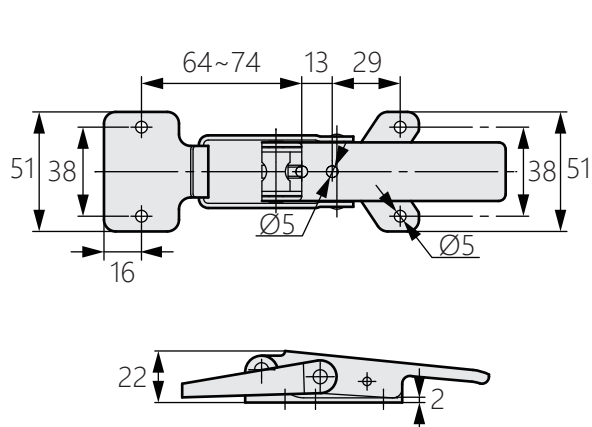
DK-065



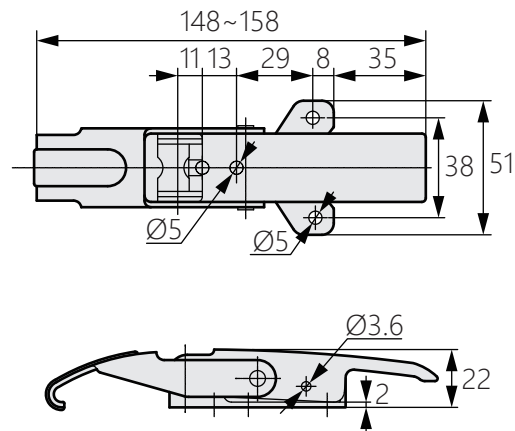
[DK-065-1]

[DK-065-2]

[DK-065-1]



[DK-065-2]



商品介紹 Product description

由不銹鋼製成，經久耐用且耐腐蝕。

- 材質：不鏽鋼(SUS304)
- 表面處理：滾筒拋光
- 用途：控制面板、工業機械等

Made of stainless steel for durability and corrosion resistance.

- Material: Stainless(SUS304)
- Finish: Barrel polishing
- Uses: Control panel, Industrial machinery, etc.