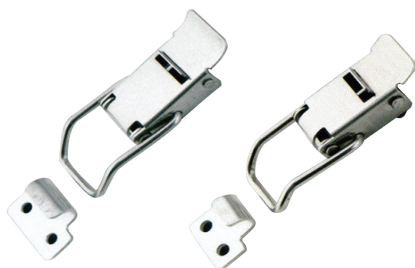


彈簧搭扣

Spring buckle



DK-075



商品介紹 Product description

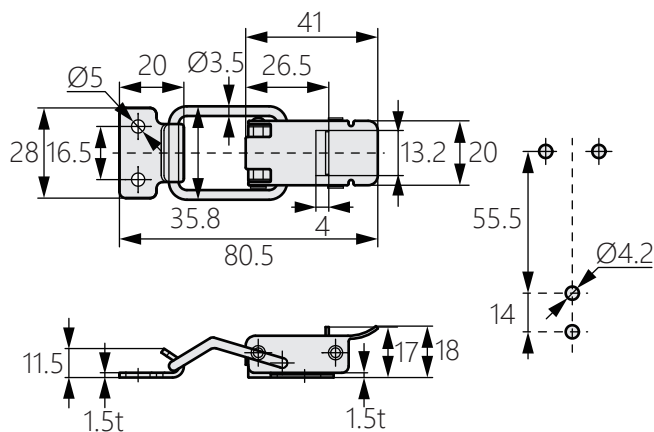
- 1.自動槓桿鎖定。
- 2.內置彈簧，抗震性強。

- 材質：不鏽鋼(SUS304)
- 表面處理、滾筒拋光
- 用途：半導體設備、配電盤等

1. Automatic lever lock.
2. Built-in spring, strong shock resistance.

- Material: Stainless(SUS304)
- Finish: Barrel polishing
- Uses: Semiconductor equipment, distributing panel, etc.

[DK-075-1]



[DK-075-2]

