

# 彈簧搭扣

Spring buckle



DK-077

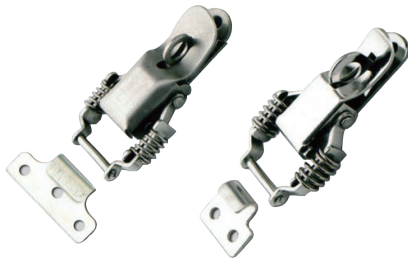
## 商品介紹 Product description

使用彈簧可以實現強力緊固。

- 材質：不鏽鋼(SUS304)、冷軋鋼板(SPCC)
- 表面處理：滾筒拋光、鍍鋅
- 用途：半導體設備、配電盤等

Strong tightening is possible with spring application.

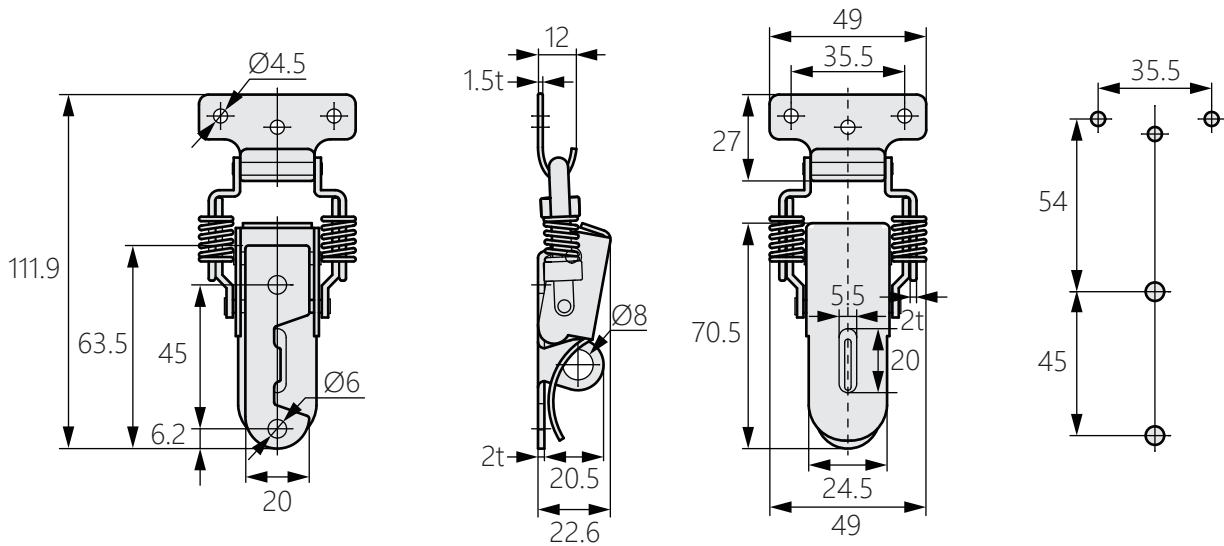
- Material: Stainless(SUS304), Cold rolling steel sheet(SPCC)
- Finish: Barrel polishing, Zinc plating
- Uses: Semiconductor equipment, distributing panel, etc.



[DK-077-1-1]

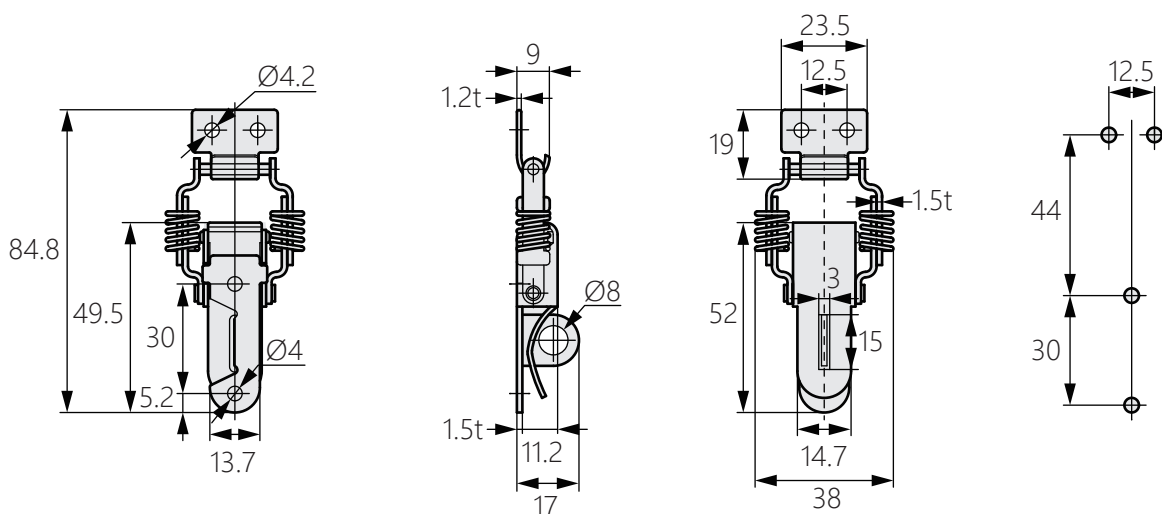
[DK-077-2-1]

[DK-077-2-2]



[DK-077-1-1] 冷軋鋼板

[DK-077-2-1] 不鏽鋼



[DK-077-2-2] 不鏽鋼