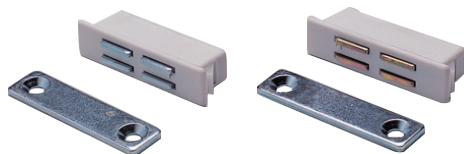


# 磁吸

Magnet catch



DK-089



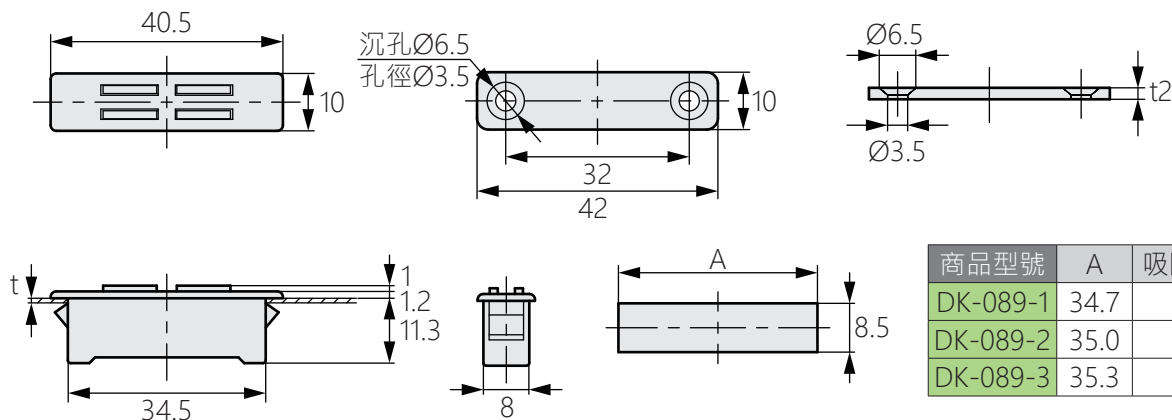
## 商品介紹 Product description

- 1.組裝主體時，無需螺絲即可將螺絲推入孔中。
- 2.根據材料的厚度，它可以使用三種類型。

- 材質：聚酰胺(PA6)
- 表面處理：白色
- 用途：測量儀器、辦公自動化設備、家具等

When assembling the main body, the screw is pushed into the hole without the need for it. It can be used in three types depending on the thickness of the material.

- Material: Polyamide(PA6)
- Finish: White
- Uses: Measuring instrument, OA equipment, furniture, etc.



商品型號	A	吸附力 (kg)
DK-089-1	34.7	1.2
DK-089-2	35.0	3.5
DK-089-3	35.3	6