

可調式下偏心搭扣

Adjustable buckle



DK-100



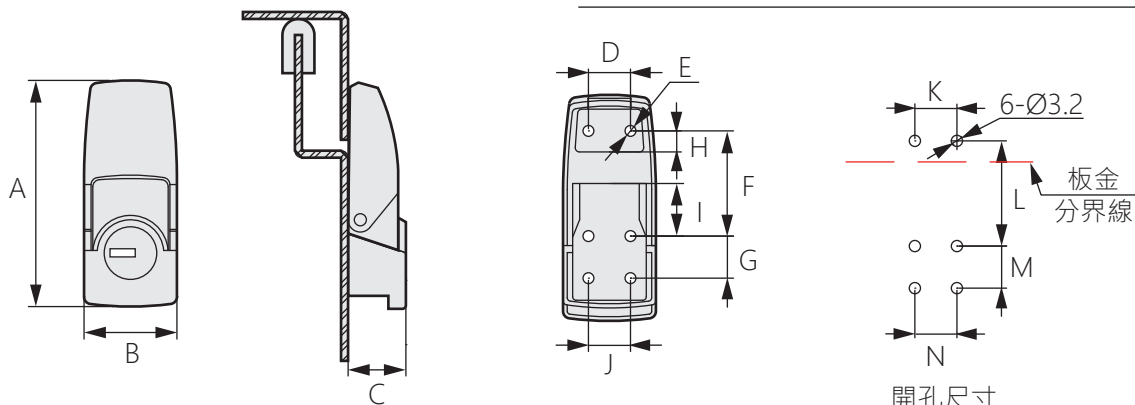
商品介紹 Product description

固定間距設計使面板精確定位，金屬鑄造的外殼將所有組件包圍在內，兼具外觀及防撬功能。

- 材質：鋅合金(ZDC)
- 表面處理：鍍鉻、黑色塗裝
- 用途：電箱電櫃、櫃門等
- 備註：另有無鎖芯樣式可供訂製。

The fixed-pitch design enables precise positioning of the panels, and the metal-cast casing encloses all components for both appearance and tamper resistance.

- Material: Zinc alloy(ZDC)
- Finish: Chrome plating, black painting
- Uses: Electric box, cabinet, cabinet door, etc.
- Notes: There is also no lock cylinder style available for customization.



商品型號		A	B	C	D	E	F	G	H	I	J	K	L	M	N
鍍鉻	黑色塗裝														
DK-100-1-1	DK-100-2-1	75	32	19.9	16	Ø3.2	35.5	12	6	18.5	16	16	35.5	12	16
DK-100-1-2	DK-100-2-2	64.5	26.5	16.5	12	Ø3.1	30	12	6	15	12	12	30	12	12