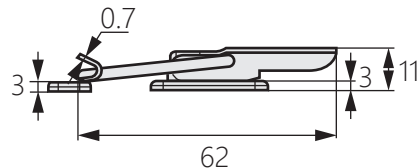
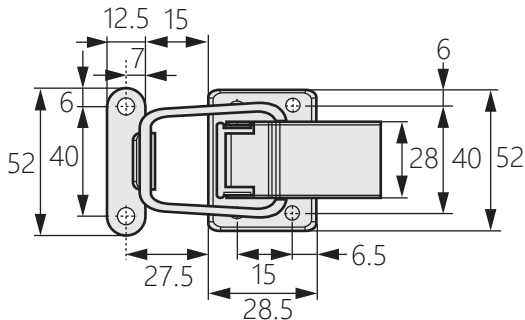


不鏽鋼搭扣

Stainless steel buckle



DK-140



商品介紹 Product description

多孔安裝·更穩固產品。

- 材質：不鏽鋼(SUS304)
- 表面處理：震動拋光
- 用途：電箱電櫃、櫃門等

Porous installation, more stable product.

- Material: Stainless steel(SUS304)
- Finish: Vibration polishing
- Uses: Electric box,cabinet,cabinet door,etc.