

# 平搭扣

Flat buckle



DK-146



## 商品介紹 Product description

1. 簡易安裝，強力迫緊性能。
2. 具有不同的扣環結構設計。

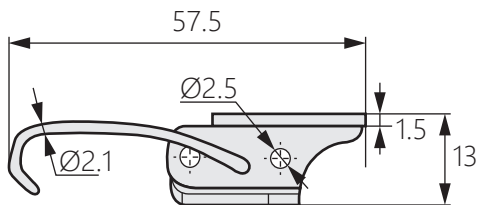
- 材質：鐵(SPCC)、不鏽鋼(SUS304)
- 表面處理：鍍藍鋅、震動研磨
- 用途：櫃門、電箱電櫃等

1. The metal elastic arc hook and the wire loop are specially designed, which will not loosen for a long time.

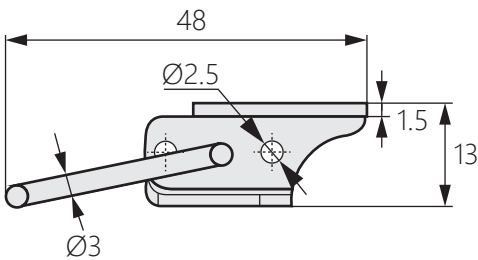
2. Medium load: 18-23.5kgf.

- Material: Iron(SPCC),stainless steel(SUS304)
- Finish: Blue zinc plated,vibration grinding
- Uses: Oven equipment,test chambers,etc.

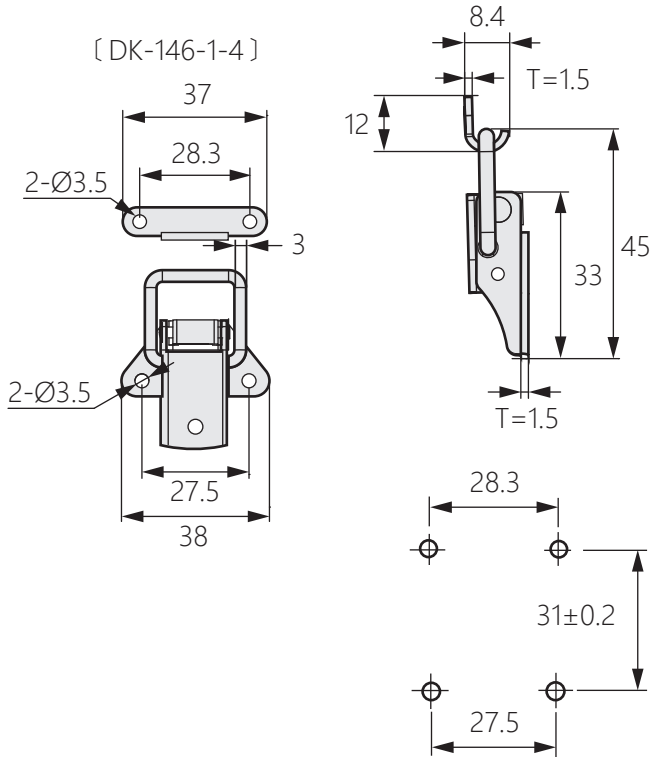
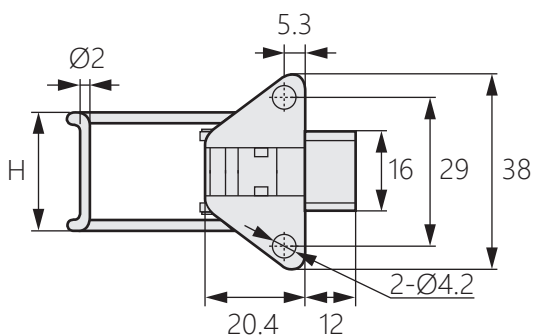
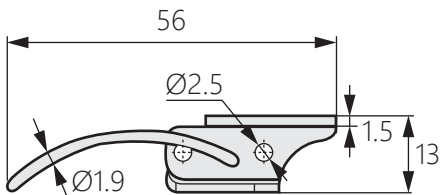
[ DK-146-1-1 ]  
[ DK-146-2-1 ]



[ DK-146-1-2 ]  
[ DK-146-2-2 ]



[ DK-146-1-3 ]  
[ DK-146-2-3 ]



商品型號	材質	表面處理	H
DK-146-1-1	不鏽鋼 304	震動研磨	24
DK-146-1-2			24
DK-146-1-3			26
DK-146-1-4			-
DK-146-2-1	鐵	鍍藍鋅	24
DK-146-2-2			24
DK-146-2-3			26