

不鏽鋼彈簧迫緊式搭扣

Stainless steel spring loaded draw latch



DK-163



商品介紹 Product description

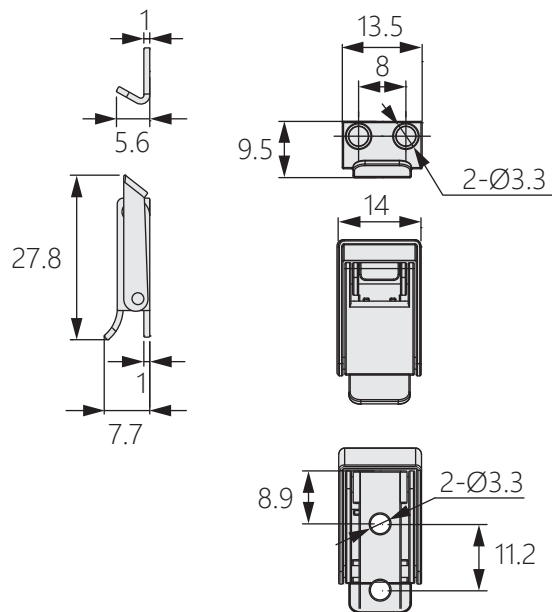
內置彈簧設計，可補償震動所產生的間隙並迫緊物件。

- 材質：不鏽鋼(SUS304)
- 表面處理：震動研磨
- 用途：櫃門、電箱電櫃等

Built-in spring design that compensates for the gap created by vibration and compresses the object.

- Material: Stainless steel(SUS304)
- Finish: Vibration grinding
- Uses: Oven equipment, test chambers, etc.

〔DK-163-1〕手柄上彎型



〔DK-163-2〕手柄下彎型

