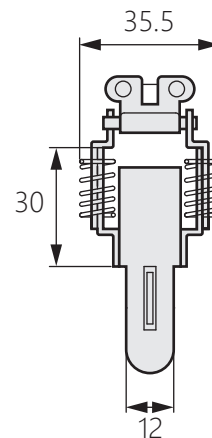
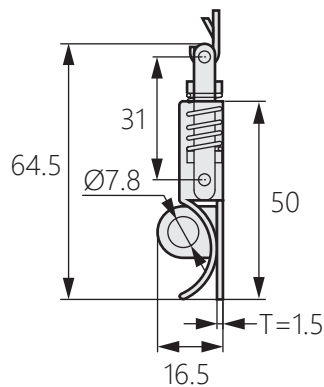
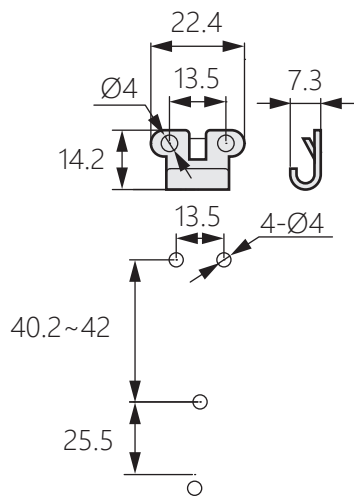


不鏽鋼彈簧迫緊搭扣

Stainless steel spring squeeze buckle



DK-3071



商品介紹 Product description

1. 外裝式彈簧可避免震動所產生的間隙並迫緊物件。
2. 提供穩定的閉鎖力道。

- 材質：不鏽鋼(SUS304)
- 表面處理：震動研磨
- 用途：半導體工程、工業五金等

1. The external spring can avoid the gap caused by vibration and tighten the object.
2. Provide stable locking force.

- Material: Stainless steel(SUS304)
- Finish: Vibration grinding
- Uses: Semiconductor engineering, industrial hardware, etc.