

# 調節迫緊搭扣

## Adjust the snap button



**DK-8015**



### 商品介紹 Product description

- 1.可調節型全金屬箱扣。
- 2.旋轉Y型螺桿，可調節適當距離。

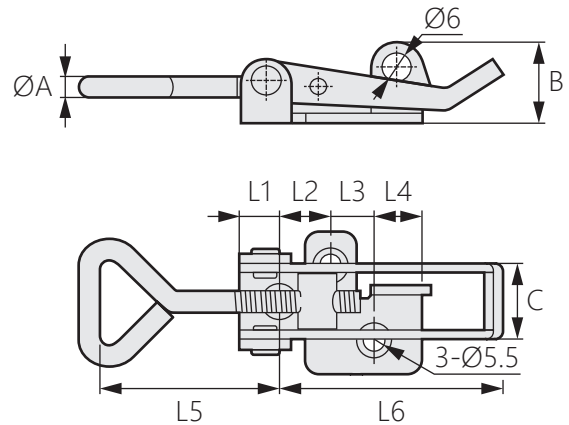
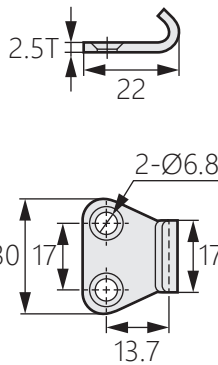
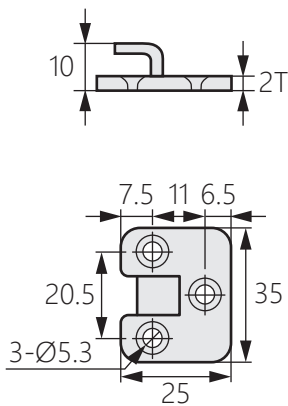
- 材質：不鏽鋼(SUS304)、鐵(SPCC)
- 表面處理：震動研磨、鍍鋅
- 用途：特殊車輛、機床、船舶等
- 備註：可另加購鉤座

1. Adjustable all-metal box buckle.
2. Rotate the Y-shaped screw to adjust the appropriate distance.

- Material: Stainless steel (SUS304), iron (SPCC)
- Finish: Vibration grinding, galvanizing
- Uses: Special vehicles, machine tools, ships, etc.
- Notes: Hook seat can be purchased separately.

[DK-8015-1-1]

[DK-8015-1-2]



[DK-8015-1-3]

[DK-8015-2-3]



商品型號	A	B	C	L1	L2	L3	L4	L5	L6
不鏽鋼									
DK-8015-1-1	4.3	17	15.8	8	11	9.3	9.6	39-46	48
DK-8015-1-2	5	20	18	14	14	16	9	52-66	52

商品型號	
不鏽鋼	鐵
DK-8015-1-3	DK-8015-2-3

