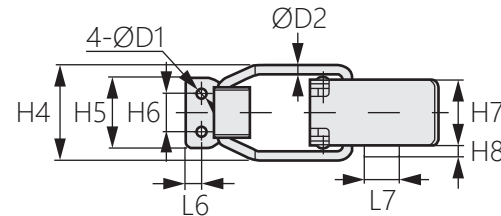
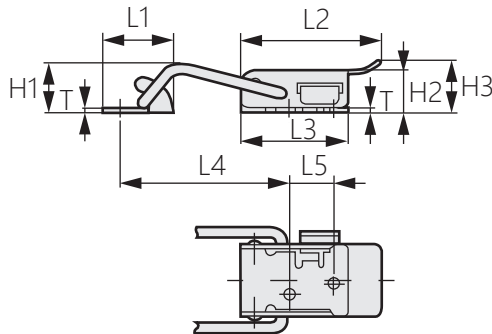


# 不鏽鋼鎖扣

Stainless steel lock



**DK-8053**



## 商品介紹 Product description

手柄自動鎖定，避免因震動而脫落。

- 材質：不鏽鋼(SUS304)、鐵(SPCC)
- 表面處理：震動研磨、鍍鎳
- 用途：櫃門、電箱電櫃等

The handle is automatically locked to avoid falling off due to vibration.

- Material: Stainless steel(SUS304),iron(SPCC)
- Finish: Vibration grinding,nickel plating
- Uses: Oven equipment,test chambers,etc.

商品型號	材質	L1	L2	L3	L4	L5	L6	H1	H2	H3	H4	H5	H6	H7	H8	D1	D2	T
DK-8053-1-1	不鏽鋼	20	41	30.5	47	13	3.5	10	12	14	31	22	12	20.5	4	3.2	3	1
DK-8053-1-2		26	55	39.5	65	20	5	12	13	16	38	26	13	25		3.3	3.5	1.3
DK-8053-2-1	鐵	20	41	30.5	47	13	3.5	10	12	14	31	22	12	20.5		3.2	3	1
DK-8053-2-2		26	55	39.5	65	20	5	12	13	16	38	26	13	25		3.3	3.5	1.3