

AC型交叉滾柱導軌

AC type crossed roller guide

HG-AC6



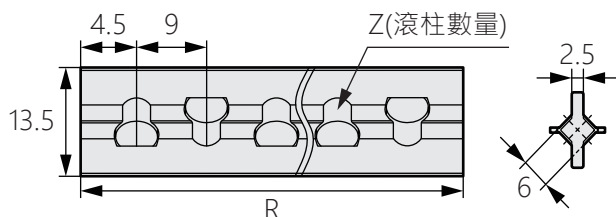
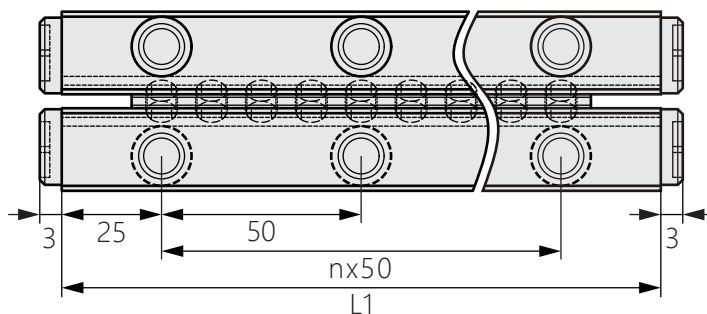
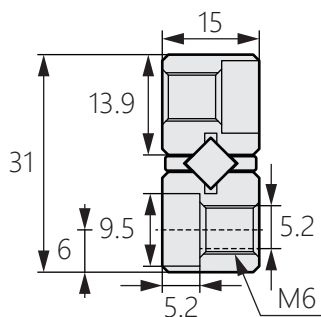
商品介紹 Product description

1. 安裝簡易方便。
2. 內有防蠕動齒輪，可防止保持架錯位。
3. 快速平穩的滾動運動。
4. AC6型交叉滾柱保持架的最大長度是500mm。

● 材質：導軌-軸承鋼、保持架-聚甲醛、鉻軸承鋼

1. Easy and convenient installation.
2. Equipped with anti-creep gears inside to prevent misalignment of the cage.
3. Fast and smooth rolling motion.
4. The maximum length of AC6 type crossed roller cage is 500mm.

● Material: Guide rail-bearing steel
Cage-POM、GCR15



商品型號	L1	nx50	R	最大行程(mm)
HG-AC6-100X7Z	100	1x50	63	74
HG-AC6-150X10Z	150	2x50	90	120
HG-AC6-200X13Z	200	3x50	117	166
HG-AC6-250X17Z	250	4x50	153	194
HG-AC6-300X20Z	300	5x50	180	240
HG-AC6-350X24Z	350	6x50	216	268
HG-AC6-400X27Z	400	7x50	243	314
HG-AC6-450X31Z	450	8x50	279	342
HG-AC6-500X34Z	500	9x50	306	388
HG-AC6-550X38Z	550	10x50	342	416
HG-AC6-600X41Z	600	11x50	369	462