

CRW型交叉滾柱導軌



HG-CRW6

CRW-type cross roller guide



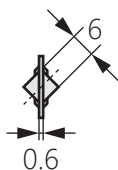
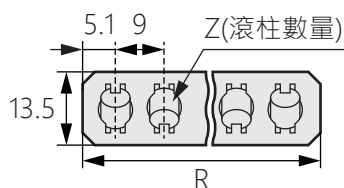
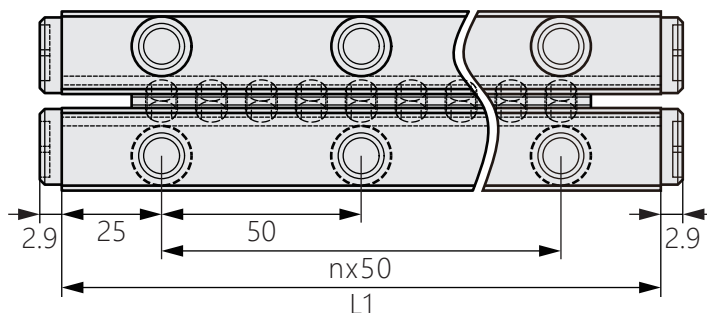
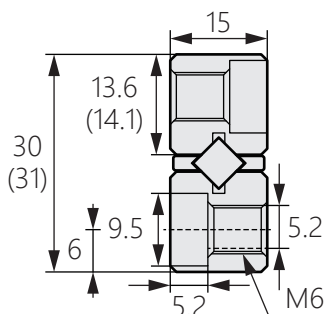
商品介紹 Product description

1. 安裝簡易方便。
2. 內有防蠕動齒輪，可防止保持架錯位。
3. 快速平穩的滾動運動。
4. CRW6型交叉滾柱保持架的最大長度是1000mm。

● 材質：導軌-軸承鋼、保持架-不鏽鋼

1. Easy and convenient installation.
2. Equipped with anti-creep gears inside to prevent misalignment of the cage.
3. Fast and smooth rolling motion.
4. The maximum length of CRW6 type crossed roller cage is 1000mm.

● Material: Guide rail-bearing steel
Cage-Stainless steel



| 商品型號 | L1 | nx50 | R | Z | 最大行程(mm) |
|-----------------|-----|-------|-----|----|----------|
| HG-CRW6-100X7Z | 100 | 1x50 | 70 | 7 | 60 |
| HG-CRW6-150X10Z | 150 | 2x50 | 100 | 10 | 100 |
| HG-CRW6-200X13Z | 200 | 3x50 | 130 | 13 | 140 |
| HG-CRW6-250X17Z | 250 | 4x50 | 170 | 17 | 160 |
| HG-CRW6-300X20Z | 300 | 5x50 | 200 | 20 | 200 |
| HG-CRW6-350X24Z | 350 | 6x50 | 240 | 24 | 220 |
| HG-CRW6-400X27Z | 400 | 7x50 | 270 | 27 | 260 |
| HG-CRW6-450X31Z | 450 | 8x50 | 310 | 31 | 280 |
| HG-CRW6-500X34Z | 500 | 9x50 | 340 | 34 | 320 |
| HG-CRW6-550X38Z | 550 | 10x50 | 380 | 38 | 340 |
| HG-CRW6-600X41Z | 600 | 11x50 | 410 | 41 | 380 |