

CRWG-H型防蠕動交叉滾柱導軌

CRWG-H type anti-creeping cross roller guide

HG-CRWG4-H

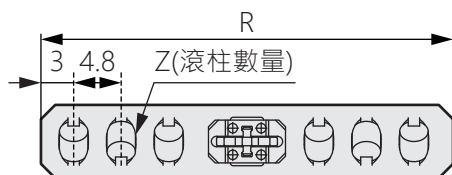
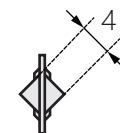
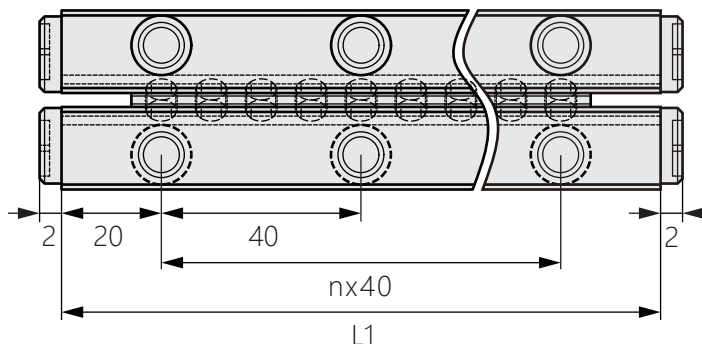
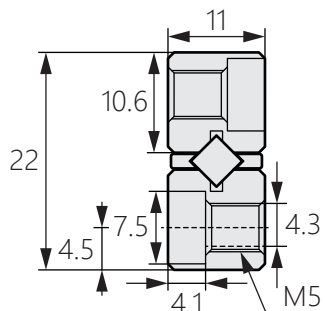
商品介紹 Product description

1. 安裝簡易方便。
2. 內有防蠕動齒輪，可防止保持架錯位。
3. 快速平穩的滾動運動。

● 材質：導軌-軸承鋼、保持架-聚甲醛、鉻軸承鋼

1. Easy and convenient installation.
2. Equipped with anti-creep gears inside to prevent misalignment of the cage.
3. Fast and smooth rolling motion.

● Material: Guide rail-bearing steel
Cage-POM、GCR15



| 商品型號 | L1 | nx40 | R | Z | 最大行程(mm) |
|-------------------|-----|------|-------|----|----------|
| HG-CRWG4-80HX10Z | 80 | 1x40 | 59.4 | 10 | 44 |
| HG-CRWG4-120HX16Z | 120 | 2x40 | 88.2 | 16 | 67 |
| HG-CRWG4-160HX22Z | 160 | 3x40 | 117 | 22 | 89 |
| HG-CRWG4-200HX28Z | 200 | 4x40 | 145.8 | 28 | 112 |
| HG-CRWG4-240HX36Z | 240 | 5x40 | 184.2 | 36 | 115 |
| HG-CRWG4-280HX42Z | 280 | 6x40 | 213 | 42 | 137 |
| HG-CRWG4-320HX48Z | 320 | 7x40 | 241.8 | 48 | 160 |