

CRWG型防蠕動交叉滾柱導軌

CRWG-type anti-creeping cross roller guide



HG-CRWG6



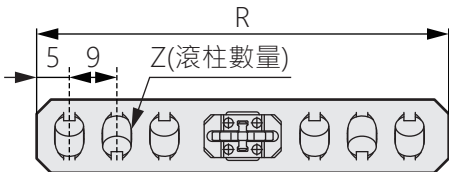
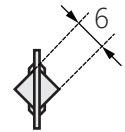
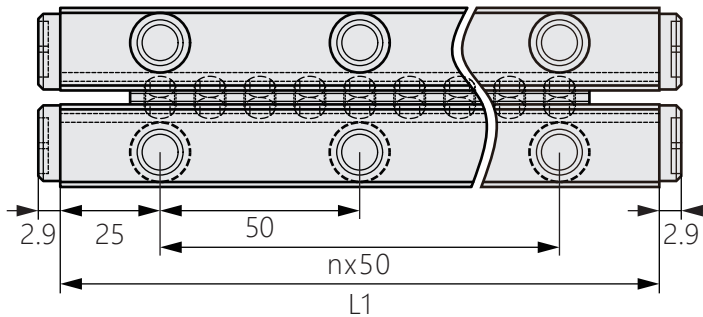
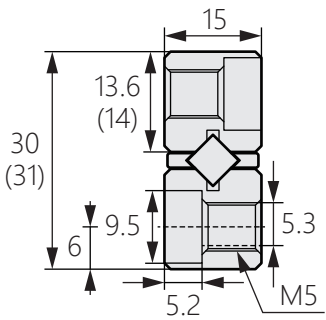
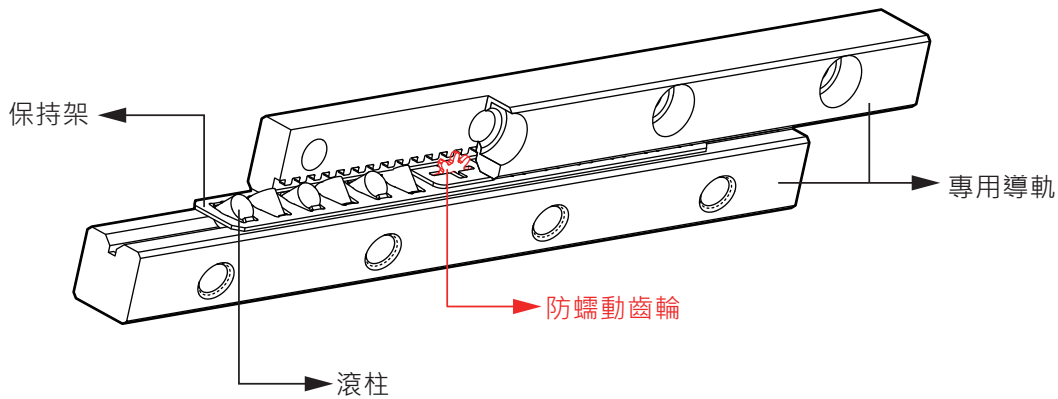
商品介紹 Product description

1. 安裝簡易方便。
2. 內有防蠕動齒輪，可防止保持架錯位。
3. 快速平穩的滾動運動。

● 材質：導軌-軸承鋼、保持架-不鏽鋼

1. Easy and convenient installation.
2. Equipped with anti-creep gears inside to prevent misalignment of the cage.
3. Fast and smooth rolling motion.

● Material: Guide rail-bearing steel
Cage-stainless steel



商品型號	L1	nx50	R	Z	最大行程(mm)
HG-CRWG6-100X6Z	100	1x50	72	6	56
HG-CRWG6-150X12Z	150	2x50	126	12	48
HG-CRWG6-200X16Z	200	3x50	162	16	76
HG-CRWG6-250X20Z	250	4x50	198	20	104
HG-CRWG6-300X24Z	300	5x50	234	24	132
HG-CRWG6-350X28Z	350	6x50	270	28	160
HG-CRWG6-400X32Z	400	7x50	306	32	188
HG-CRWG6-450X36Z	450	8x50	342	36	216
HG-CRWG6-500X40Z	500	9x50	378	40	244
HG-CRWG6-550X44Z	550	10x50	414	44	272
HG-CRWG6-600X48Z	600	11x50	450	48	300