

# NV型圓釘式交叉滾柱導軌

## HG-NV4

NV type round nail cross roller guide



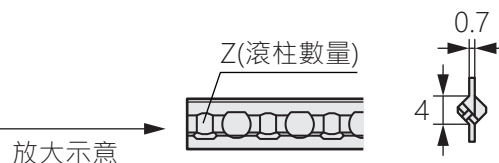
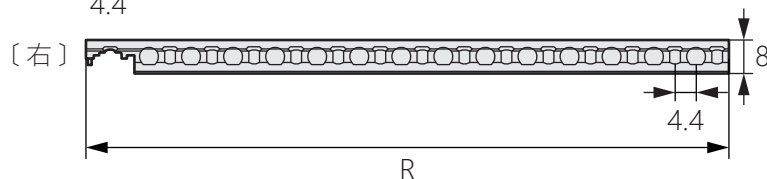
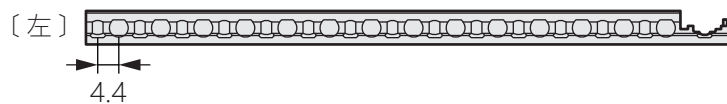
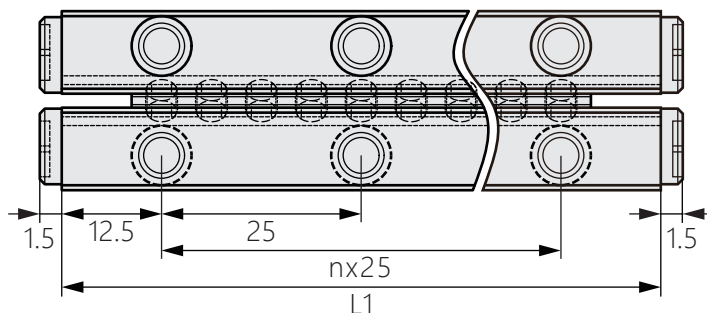
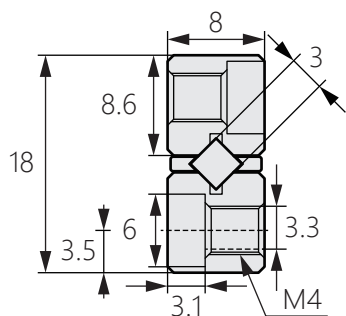
商品介紹 Product description

1. 安裝簡易方便。
2. 內有防蠕動齒輪，可防止保持架錯位。
3. 快速平穩的滾動運動。
4. NV4型交叉滾柱保持架的最大長度是280mm。

● 材質：導軌-軸承鋼、保持架-聚甲醛、鉻軸承鋼

1. Easy and convenient installation.
2. Equipped with anti-creep gears inside to prevent misalignment of the cage.
3. Fast and smooth rolling motion.
4. The maximum length of NV4 type crossed roller cage is 280mm.

● Material: Guide rail-bearing steel  
Cage-POM、GCR15



商品型號	L1	nx40	R	Z	最大行程(mm)
HG-NV4-80X9Z	80	1x40	48.7	9	60
HG-NV4-120X17Z	120	2x40	83	17	75
HG-NV4-160X23Z	160	3x40	109	23	105
HG-NV4-200X29Z	200	4x40	134.7	29	130
HG-NV4-240X37Z	240	5x40	169	37	143
HG-NV4-280X37Z	280	6x40	195	43	170