

NV型圓釘式交叉滾柱導軌

HG-NV6

NV type round nail cross roller guide

商品介紹 Product description

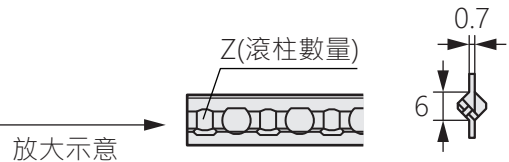
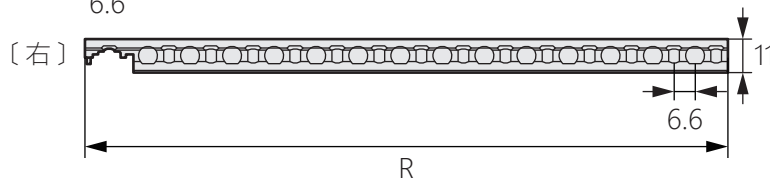
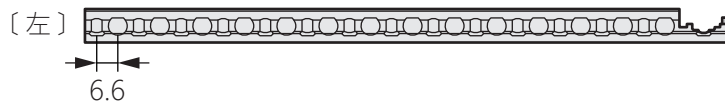
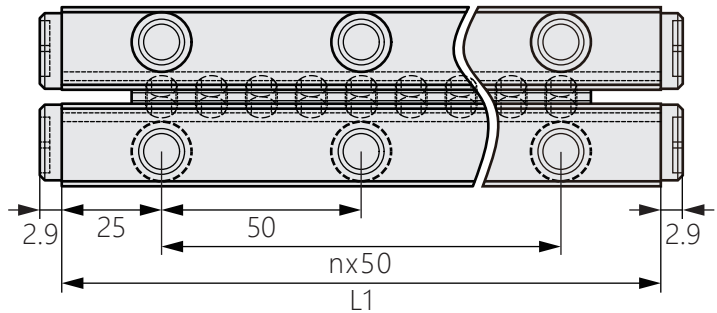
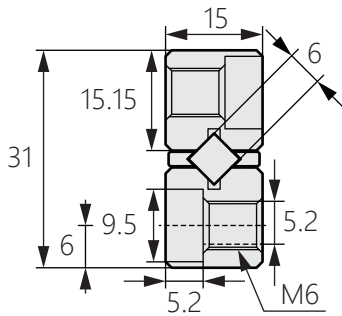


1. 安裝簡易方便。
2. 內有防蠕動齒輪，可防止保持架錯位。
3. 快速平穩的滾動運動。
4. NV6型交叉滾柱保持架的最大長度是380mm。

● 材質：導軌-軸承鋼、保持架-聚甲醛、鉻軸承鋼

1. Easy and convenient installation.
2. Equipped with anti-creep gears inside to prevent misalignment of the cage.
3. Fast and smooth rolling motion.
4. The maximum length of the NV6 type crossed roller cage is 380mm.

● Material: Guide rail-bearing steel
Cage-POM、GCR15



商品型號	L1	nx50	R	Z	最大行程(mm)
HG-NV6-100X9Z	100	1x50	68.5	9	63
HG-NV6-150X15Z	150	2x50	107.5	15	85
HG-NV6-200X19Z	200	3x50	133.5	19	135
HG-NV6-250X25Z	250	4x50	172.5	25	158
HG-NV6-300X31Z	300	5x50	211.5	31	180
HG-NV6-350X35Z	350	6x50	237.5	35	230
HG-NV6-400X39Z	400	7x50	263.5	39	275