

# NVW型三排交叉滾柱導軌

NVW type three-row crossed roller guide



HG-NVW4



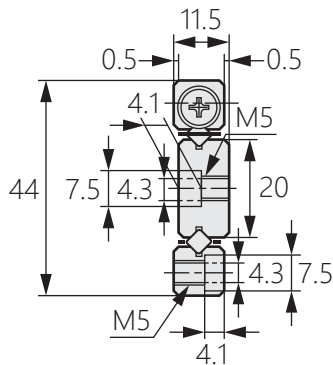
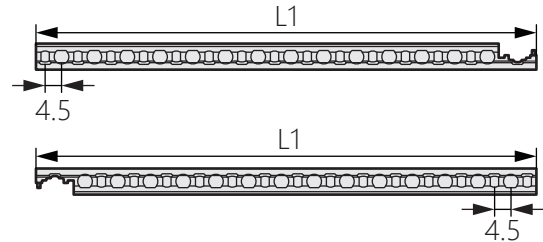
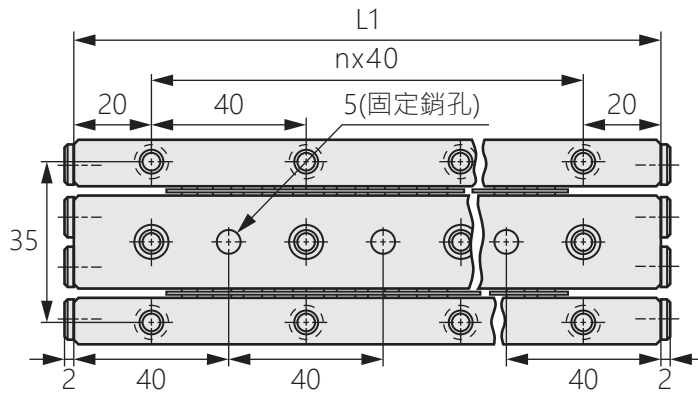
商品介紹 Product description

1. 安裝簡易方便。
2. 內有防蠕動齒輪，可防止保持架錯位。
3. 快速平穩的滾動運動。

● 材質：導軌-軸承鋼、保持架-不鏽鋼

1. Easy and convenient installation.
2. Equipped with anti-creep gears inside to prevent misalignment of the cage.
3. Fast and smooth rolling motion.

● Material: Guide rail-bearing steel  
Cage-Stainless steel



商品型號	L1	nx40	R	Z	最大行程(mm)
HG-NVW4-80X6Z	80	1x40	56	6	48
HG-NVW4-120X10Z	120	2x40	84	10	72
HG-NVW4-160X14Z	160	3x40	112	14	96
HG-NVW4-200X18Z	200	4x40	140	18	120
HG-NVW4-240X24Z	240	5x40	182	24	116
HG-NVW4-280X28Z	280	6x40	210	28	140
HG-NVW4-320X32Z	320	7x40	238	32	164
HG-NVW4-360X34Z	360	8x40	252	34	216
HG-NVW4-400X38Z	400	9x40	280	38	240
HG-NVW4-440X42Z	440	10x40	308	42	264
HG-NVW4-480X46Z	480	11x40	336	46	288