

# VB型交叉滾柱導軌



## HG-VB6

VB type crossed roller guide



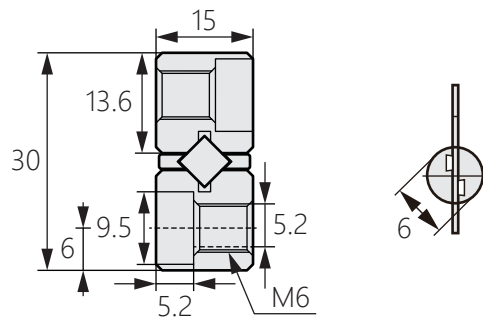
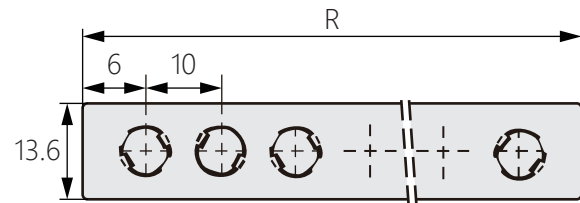
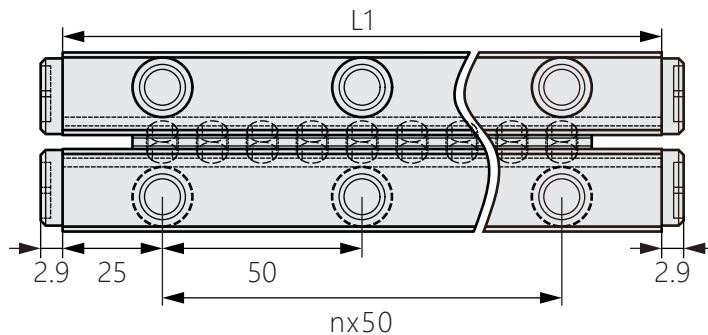
商品介紹 Product description

1. 安裝簡易方便。
2. 內有防蠕動齒輪，可防止保持架錯位。
3. 快速平穩的滾動運動。

● 材質：導軌-軸承鋼、保持架-不鏽鋼

1. Easy and convenient installation.
2. Equipped with anti-creep gears inside to prevent misalignment of the cage.
3. Fast and smooth rolling motion.

● Material: Guide rail-bearing steel  
Cage-Stainless steel



商品型號	L1	nx50	R	Z	最大行程(mm)
HG-VB6-100X7Z	100	1x50	70	7	60
HG-VB6-150X10Z	150	2x50	100	10	100
HG-VB6-200X13Z	200	3x50	130	13	140
HG-VB6-250X17Z	250	4x50	170	17	160
HG-VB6-300X20Z	300	5x50	200	20	200
HG-VB6-350X24Z	350	6x50	240	24	220
HG-VB6-400X27Z	400	7x50	270	27	260
HG-VB6-450X31Z	450	8x50	310	31	280
HG-VB6-500X34Z	500	9x50	340	34	320
HG-VB6-550X38Z	550	10x50	380	38	340
HG-VB6-600X41Z	600	11x50	410	41	380