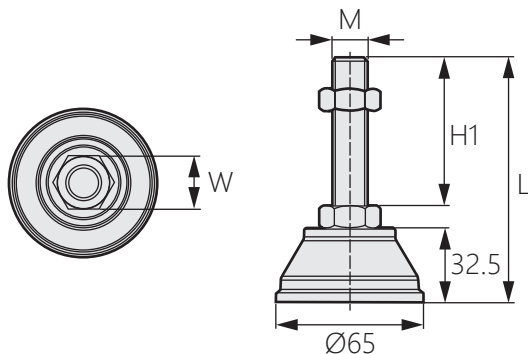


# 尼龍腳座

Nylon feet



## JZ-132



### 商品介紹 Product description

採用尼龍材質的底座，質量輕、承重性能好。

- 材質：鐵、不鏽鋼、尼龍
- 表面處理：本體-尼龍黑色、螺桿-鍍鎳
- 用途：半導體設備、醫療設備、機床等

The base is made of nylon, which is light in weight and has good load-bearing performance.

- Material: Iron, stainless steel, nylon
- Finish: Body-nylon black, screw-nickel plated
- Uses: Semiconductor equipment, medical equipment, etc.

商品型號		M	L	W	H1	荷重 (KG)
不鏽鋼	鐵					
JZ-132-1-1	JZ-132-2-1	M16	73	24	50	100
JZ-132-1-2	JZ-132-2-2		143		100	
JZ-132-1-3	JZ-132-2-3	M20	143	30	100	150
JZ-132-1-4	JZ-132-2-4		193		150	