

偏芯水滴型腳座

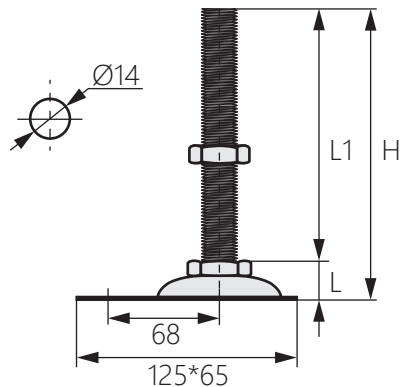
Eccentric drop type tripod



JZ-1322

商品介紹 Product description

- 材質：不鏽鋼(SUS304)、鍍鋅
- Material: Stainless steel (SUS304),galvanized



商品型號		L	L1	D1	H	牙距	荷重 (KG)
不鏽鋼	鍍鋅						
JZ-1322-1-1	JZ-1322-2-1	32	75	M12	107	P1.75	200
JZ-1322-1-2	JZ-1322-2-2		100		132		
JZ-1322-1-3	JZ-1322-2-3		150		182		
JZ-1322-1-4	JZ-1322-2-4	35	100	M16	135	P2.0	300
JZ-1322-1-5	JZ-1322-2-5		150		185		