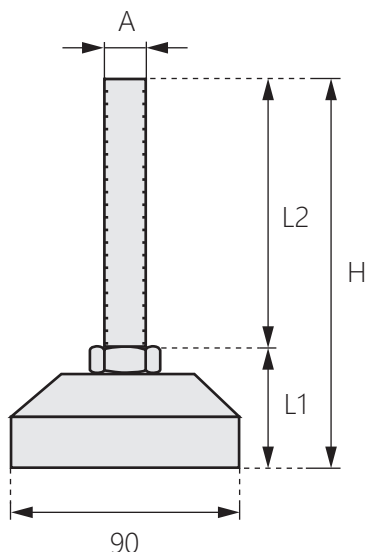


重型避震水平調整腳座

Heavy-duty shock leveling feet



JZ-1326



商品介紹 Product description

- 材質：底盤-橡膠、螺柱-鐵/不鏽鋼
 - 螺牙材質：鐵、不鏽鋼
 - 用途：無塵室設備、鋁擠型設備等
-
- Material: Chassis-rubber,stud-iron/stainless steel
 - Thread material: Iron,stainless steel
 - Uses: Clean room equipment,aluminum extrusion equipment,etc.

商品型號	材質	L1	L2	D2	H	荷重 (KG)
JZ-1326-1-1	鐵	43	100	16	143	800
JZ-1326-1-2			150		193	
JZ-1326-1-3			200		243	
JZ-1326-1-4			250		293	
JZ-1326-1-5		46	20	100	146	
JZ-1326-1-6				150	196	
JZ-1326-1-7				200	246	
JZ-1326-1-8				250	296	
JZ-1326-1-9		43	5/8"	100	143	
JZ-1326-1-10				150	193	
JZ-1326-1-11		46	3/4"	100	146	
JZ-1326-1-12				150	196	
JZ-1326-2-1	不鏽鋼	43	100	M16	143	
JZ-1326-2-2			150		193	
JZ-1326-2-3			200		243	
JZ-1326-2-4		46	M20	100	146	
JZ-1326-2-5				150	196	
JZ-1326-2-6				200	246	