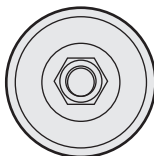
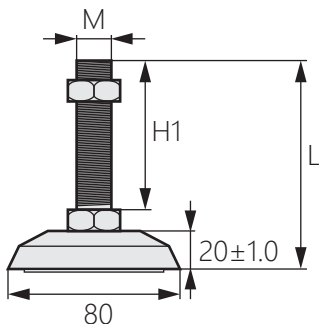


水平調節重型腳座

Leveling foot



JZ-135



商品介紹 Product description

- 1.採用不鏽鋼鑄造一體成型，承重性能好。
- 2.底部有防滑防震橡膠。

- 材質：不鏽鋼(SUS304)
- 表面處理：鏡面拋光
- 用途：半導體設備、醫療設備等

1. It is integrally formed by stainless steel casting.
2. The bottom has anti-skid and shock-proof rubber.

- Material: Stainless steel
- Finish: Mirror polishing
- Uses: Semiconductor equipment, medical equipment, etc.

商品型號	M	L	H1	荷重
JZ-135-1	M16	78	50	500KG
JZ-135-2		128	100	
JZ-135-3	M18	130	100	800KG
JZ-135-4		160	130	
JZ-135-5	M20	130	100	1000KG
JZ-135-6		160	130	