

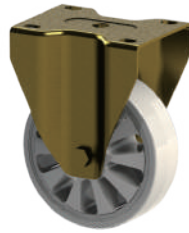
# 平面軸承通花PA輪



**JZ-728**

Flat bearing through flower PA wheel

商品介紹 Product description



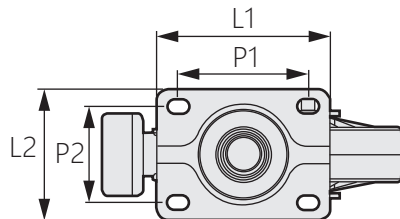
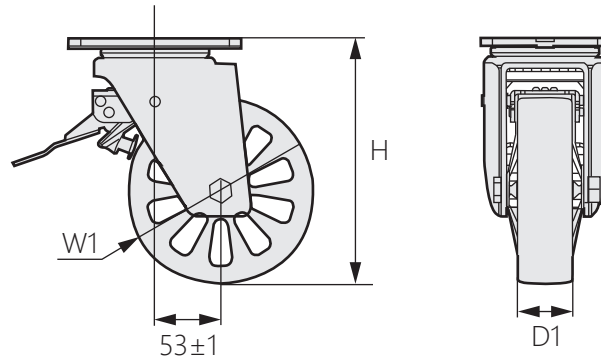
[ JZ-728-R ]



[ JZ-728-S ]



[ JZ-728-I ]



- 1.一體拉伸成型支架。
- 2.全包塑芯輪，具防塵效果。
- 3.專利波盤設計。
- 4.平面軸承搭配滾珠。

- 材質：PA尼龍輪
- 表面處理：環保黃鋅

1. One-piece stretch forming bracket.
2. Full plastic core wheel, with dustproof effect.
3. Patented wave plate design.
4. Plane bearing with ball.

- Material: PA nylon wheel
- Finish: Environmentally friendly yellow zinc

商品型號	輪子	輪徑 (W1)	輪寬 (W2)	安裝高度 (H)	底板尺寸 (L1*L2)	孔距 (P1-P2)	孔徑 (D2)	荷重 (KG)
JZ-728-1_		125		170	140*105	105*77.5	11	500
JZ-728-2_	PA	150	45	197				600
JZ-728-3_		200		246				800

\*JZ-728系列可選配R固定/S活動/I單踏後雙煞\*