

吊環螺栓

Eye bolt



LZ-613



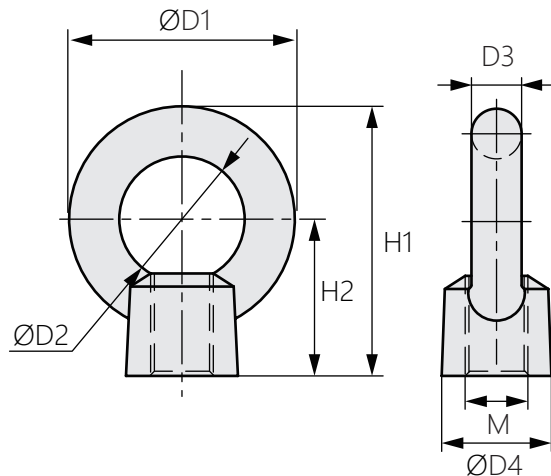
商品介紹 Product description

由不銹鋼製成，經久耐用且耐腐蝕。

- 材質：不鏽鋼(SUS304)
- 用途：半導體設備、工業機械等

Made of stainless steel for durability and corrosion resistance.

- Material: Stainless(SUS304)
- Uses: Semiconductor equipment, industrial machinery, etc.



商品型號	H1	H2	D1	D2	D3	D4	M
LZ-613-1	39.3	23	32.6	20	6.3	16	M8
LZ-613-2	48.5	28	41	25	8	20	M10
LZ-613-3	61	36	50	30	10	25	M12
LZ-613-4	72	42	60	35	12.5	30	M16
LZ-613-5	86	50	72	40	16	35	M20