

# 按壓式可調整螺絲把手



LZ-8001

Push-type adjustable screw handle

商品介紹 Product description



- 材質：把手-塑膠、螺絲-鐵鍍鋅
- 表面處理：黑色、橘色
- 備註：黑色把手/橘色蓋子(NA)  
橘色把手/橘色蓋子(NAOR)  
黑色把手/黑色蓋子(NB)  
橘色把手/黑色蓋子(NBOR)

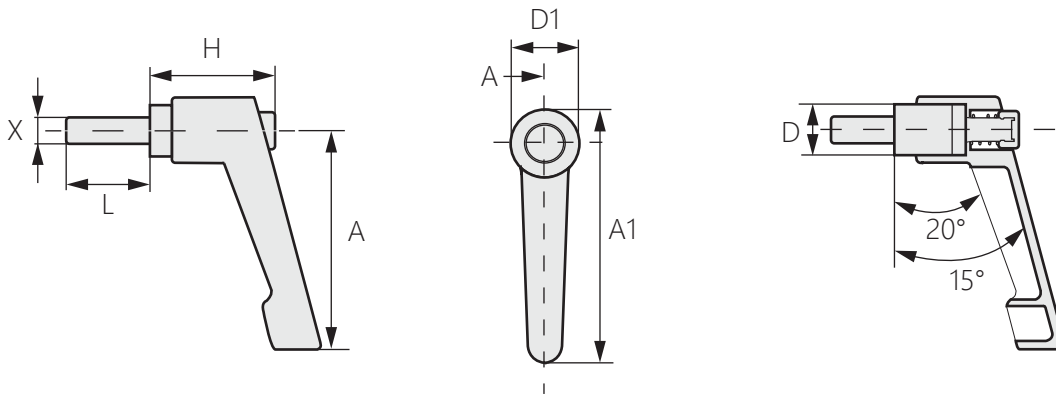
● 範例：LZ-8001-1NA-L

● Material: Handle-Plastic,  
Screw-Galvanized iron

● Finish: Black,orange

● Notes: Black handle, orange lid (code:NA)  
Orange handle, orange lid (code:NAOR)  
Black handle, black lid (code:NB)  
Orange handle, black lid (code:NBOR)

● Example: LZ-8001-1NA-L



商品型號	X	L						A	A1	H	D1	D		
LZ-8001-1	#10-24	-						10	-	-	-	-		
LZ-8001-2	#10-32	-												
LZ-8001-3	1/4"-20	15	20	27	30	40	-		30	-	-			
LZ-8001-4	M5	10	15	20	25	-								
LZ-8001-5	M6					30	35	40				45		
LZ-8001-6	M8					30	35	40				45		
LZ-8001-7	#10-24	-						38	27	16	12			
LZ-8001-8	1/4"-20	-												
LZ-8001-9	I6	15	20	27	30	40	-		42	-	-			
LZ-8001-10	M5	10	15	20	25	-								
LZ-8001-11	M6					30	35	40	45					
LZ-8001-12	M8					30	35	40	45					
LZ-8001-13	5/16"-18	15	-		40	-				65	75	36.7	20	15
LZ-8001-14	M6	10	20	30	35	40	-							
LZ-8001-15	M8	15	30	35	40	45	60	70						
LZ-8001-16	M10					-								
LZ-8001-17	5/16"-18	15	-		40	-				78	90.5	45	25	20
LZ-8001-18	M6	10	20	30	35	40	-							
LZ-8001-19	M8	15	30	35	40	45	60	70						
LZ-8001-20	M10					30	35	-						