

Exposed hinge



[OH-022W] 鋅合金
[OH-022B] 鋅合金

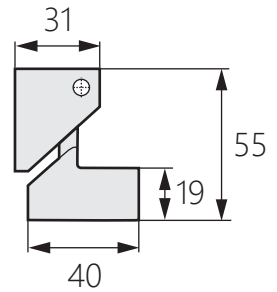
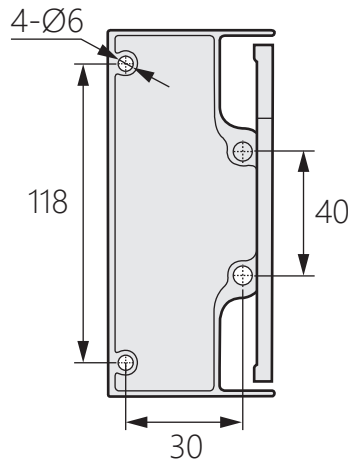
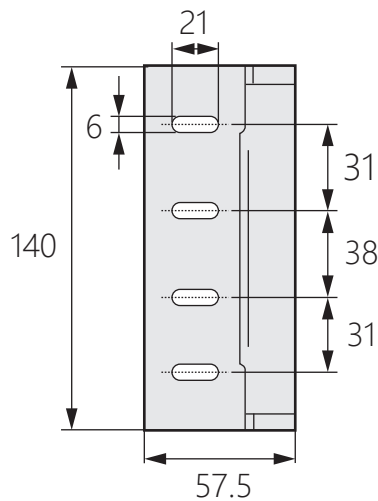
商品介紹 Product description

1. 承重性良好，適用於凸門安裝。
2. 為了適應不同門厚，鉸鍊孔設計為長圓孔可調節。

- 材質：鋅合金、不鏽鋼
- 表面處理：黑色噴砂、鍍亮鉻
- 用途：烤箱、恆溫恆濕箱等

1. Good load-bearing capacity, suitable for convex door installation.
2. To accommodate various door thicknesses, hinge holes are designed as elongated for adjustment.

- Material: Zinc alloy, Stainless steel
- Finish: Black sandblasted, bright chrome plated
- Uses: Oven, constant temperature and humidity box, etc.



[OH-002S] 不鏽鋼

安裝示意圖

