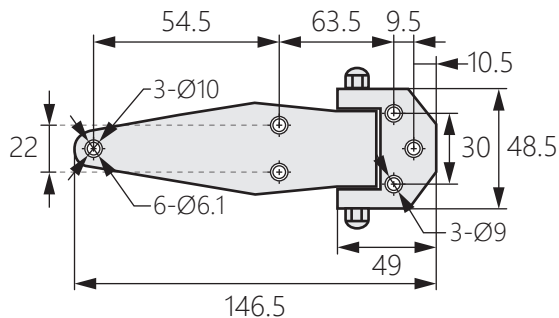


冷凍庫鉸鍊



OH-0211

Refrigerator hinge



商品介紹 Product description

- 1.軸可以拆卸安裝。
- 2.六孔安裝，增加安裝的牢固性。
- 3.最大開啟角度180度。

- 材質：鋅合金(ZDC)
- 表面處理：鍍亮鉻
- 用途：機箱機櫃、電氣櫃等

1. The shaft can be disassembled and installed.
2. Six-hole installation increases the firmness of installation.
3. The maximum opening angle is 180 degrees.

- Material: Zinc alloy(ZDC)
- Finish: Bright chrome plating.
- Uses: Chassis cabinets,electrical cabinets,etc.

