

冷凍庫鉸鍊



OH-0211

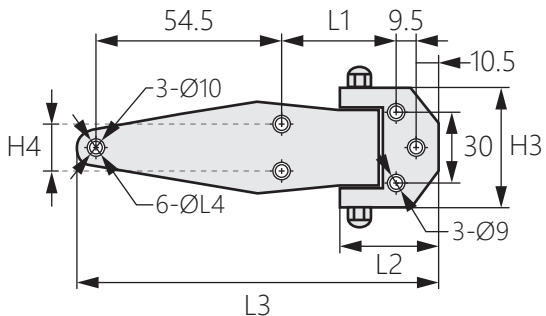
Refrigerator hinge



[OH-0211]



[OH-0211-S]



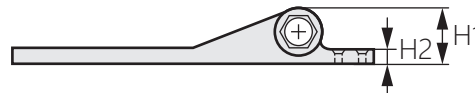
商品介紹 Product description

- 1.軸可以拆卸安裝。
- 2.六孔安裝，增加安裝的牢固性。
- 3.最大開啟角度180度。

- 材質：OH-0211：鋅合金(ZDC)、OH-0211-S：不鏽鋼
- 表面處理：鍍亮鉻
- 用途：機箱機櫃、電氣櫃等

1. The shaft can be disassembled and installed.
2. Six-hole installation increases the firmness of installation.
3. The maximum opening angle is 180 degrees.

- Material: OH-0211: Zinc alloy (ZDC)
OH-0211-S: Stainless steel
- Finish: Bright chrome plating.
- Uses: Chassis cabinets, electrical cabinets, etc.



商品型號	L1	L2	L3	L4	H1	H2	H3	H4
OH-0211	63.5	49	146.5	6.1	18	7	48.5	22
OH-0211-S	68	53	151.5	5	20	8.5	51	20