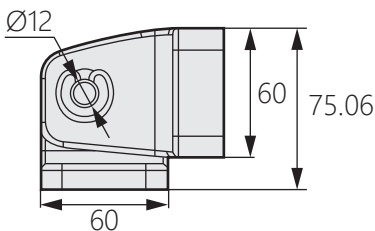
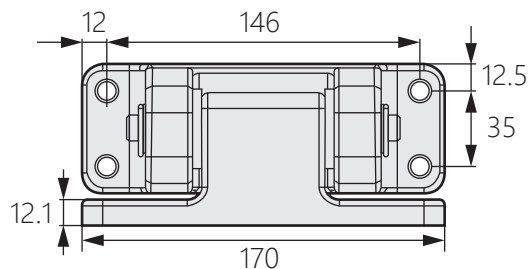
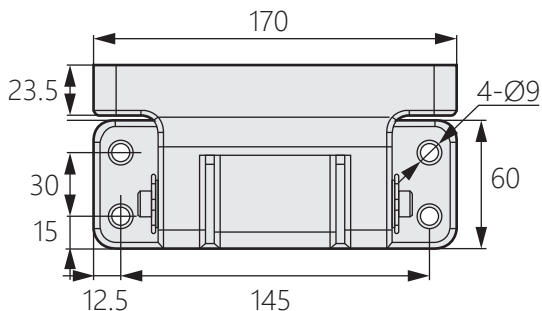


# 不鏽鋼重型凸門鉸鏈



OH-0364

## Stainless steel heavy convex door hinge



## 商品介紹 Product description

- 1.針對耐久性能結構設計，使產品更堅韌。
- 2.門的安裝部位可以調節，以適合不同的密度及厚度。
- 3.左右兼用型。
- 4.根據使用要求，實現壓縮及洩壓作用。

- 材質：不鏽鋼(SUS304)
- 表面處理：鏡面拋光
- 用途：冷凍冷藏庫、工業箱體等

1. The structure is designed for durability and makes the product tougher.
2. The installation position of the door can be adjusted to suit different densities and thicknesses.
3. Both left and right use type.
4. According to the requirements of use, the function of compression and pressure relief can be realized.

- Material: Stainless steel(SUS304)
- Finish: Mirror polishing
- Uses: Freezers, industrial boxes, etc.