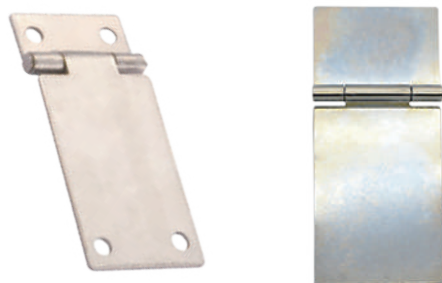


不鏽鋼隱藏式鉸鏈



OH-040

Stainless steel concealed hinge



商品介紹 Product description

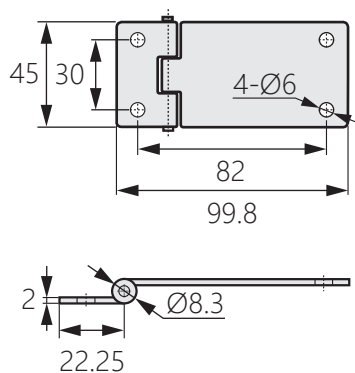
- 1.全不鏽鋼材質，大小邊設計。
- 2.左右兼用型。

- 材質：不鏽鋼
- 表面處理：振動研磨
- 用途：電箱、電櫃、小型機櫃等
- 備註：安裝時，請用M6螺絲或焊接安裝

1. Fully stainless steel, designed with size edges.
2. Can be used both left and right.

- Material: Stainless steel
- Finish: Vibration grinding
- Uses: Electrical enclosures, cabinets, small boxes, etc.
- Notes: For installation, please use M6 screws or welding.

〔OH-040-1〕有孔



〔OH-040-2〕無孔

