

隱藏式合頁

Concealed hinge



OH-041



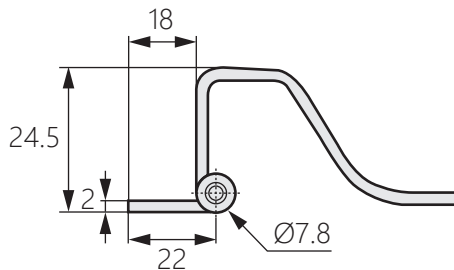
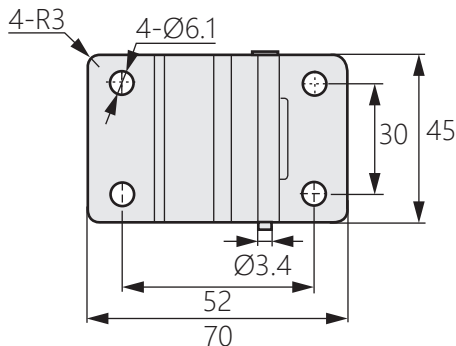
商品介紹 Product description

1. 全不鏽鋼及鐵材質可挑選。
2. 左右兼用型。
3. 無孔型號為焊接安裝。

- 材質：不鏽鋼、鐵
- 表面處理：振動研磨、鍍鎳
- 用途：機箱機櫃、自動化設備等

1. Available in full stainless steel and iron materials.
2. Both left and right use type.
3. Non-hole models are for welding installation.

- Material: Stainless steel, iron
- Finish: Vibration grinding, nickel plating
- Uses: Cabinets, automation equipment, etc.



商品型號	材質
OH-041-1	鐵
OH-041-2	不鏽鋼