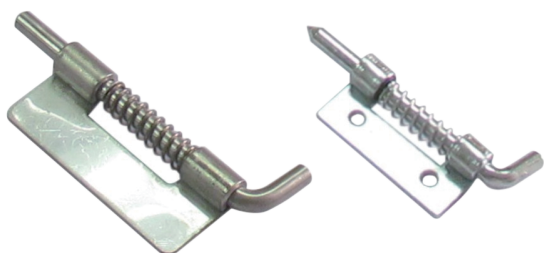


Removal spring loaded hinge

商品介紹 Product description

- 1.可輕鬆、快速且安全的將門卸下。
- 2.彈簧加載可伸縮銷設計鎖定到縮回位置，更容易安裝/拆卸門。

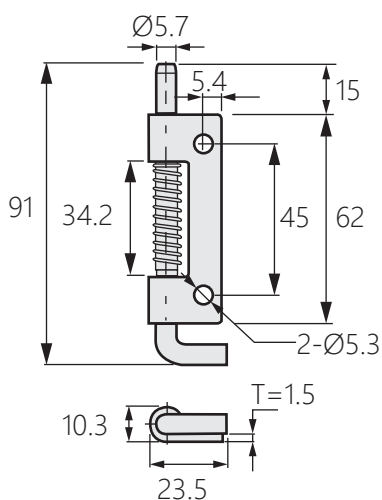


- 材質：鋼鐵、不鏽鋼
- 用途：電子設備外殼、工業機箱等

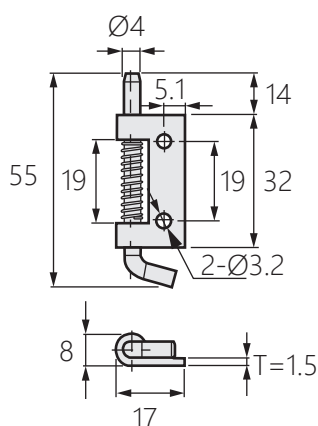
1. The door can be removed easily, quickly and safely.
2. The spring-loaded retractable pin design is locked to the retracted position, making it easier to install and remove the door.

- Material: Steel, stainless steel
- Uses: Electronic equipment housing, industrial chassis, etc.

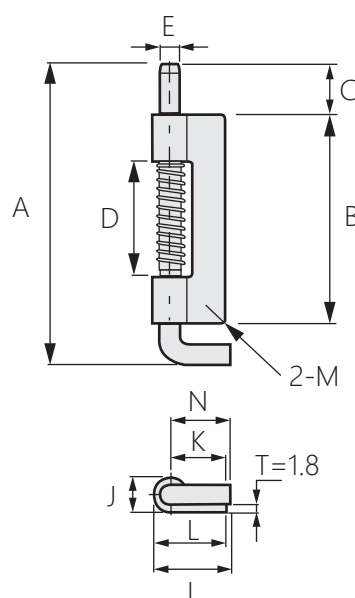
[ OH-1206-1 ]



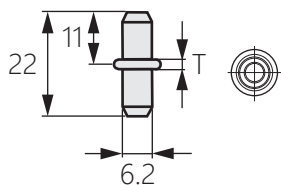
[ OH-1206-4 ]



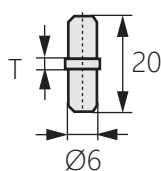
[ OH-1206-2 ]  
[ OH-1206-3 ]  
[ OH-1206-5 ]  
[ OH-1206-6 ]



[ OH-1206-T2-1 ]  
[ OH-1206-T2-4 ]  
[ OH-1206-T3-1 ]



[ OH-1206-T2-2 ]  
[ OH-1206-T2-3 ]



商品型號	材質	T
OH-1206-T2-1	不鏽鋼	2
OH-1206-T2-2		
OH-1206-T2-3	鋼鐵	3
OH-1206-T2-4		
OH-1206-T3-1		

商品型號	結構	材質	A	B	C	D	E	I	L	J	K	M	N
OH-1206-2	無孔	鋼鐵	90	62	18	34.2	Ø5.7	23.5	-	10.4	-	-	18.3
OH-1206-3		不鏽鋼		62.8			Ø6						
OH-1206-5		不鏽鋼	-	62	20	-	Ø6.3	-	-	-	-	-	-
OH-1206-6		鋼鐵	-	62	20	-	Ø6.3	-	-	-	-	-	-