

# 蝶型鉸鏈

## Butterfly hinge



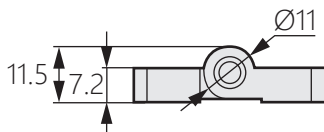
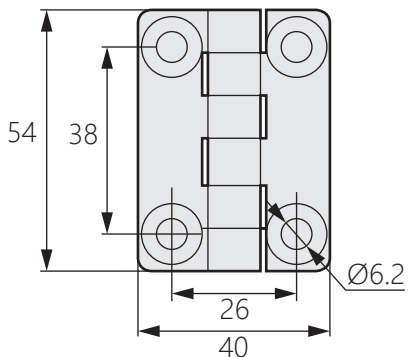
# OH-1209



[ OH-1209-CR ]  
鍍鉻



[ OH-1209-BK ]  
黑色塗裝



### 商品介紹 Product description

結構穩健・適用於室內及戶外。

- 材質：鋅合金
- 表面處理：黑色塗裝、鍍鉻
- 用途：機箱機櫃、工業箱體等

Robust structure, suitable for indoor and outdoor use.

- Material: Zinc alloy
- Finish: Black painting, chrome plating
- Uses: Chassis cabinets, industrial cabinets, etc.