

## Aluminum alloy exposed flat hinge



### 商品介紹 Product description

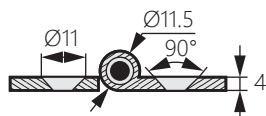
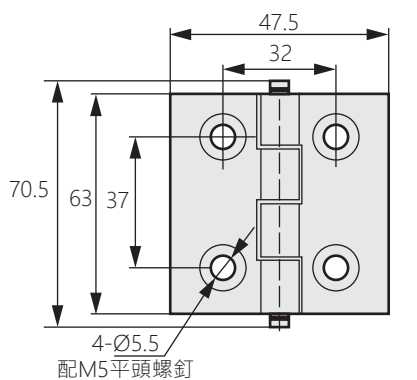
1. 左右兼用型。
2. 最大開閉角度為180度。
3. 軸心設計間隙，確保門板安裝精密度。
4. 開關門無聲音，更加環保。

- 材質：鋁合金
- 表面處理：噴砂陽極
- 用途：LED檢測設備、半導體設備、自動化設備等

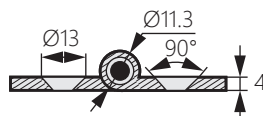
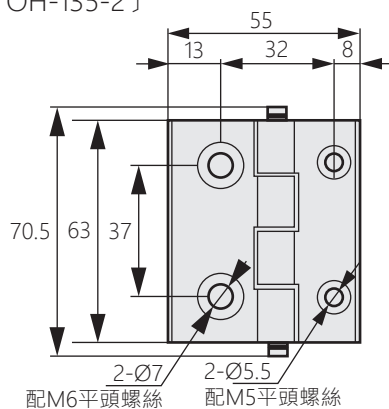
1. Both left and right use type.
2. The maximum opening and closing angle is 180 degrees.
3. The shaft is designed with a gap to ensure the precision of the door panel installation.
4. There is no sound when opening and closing the door, which is more environmentally friendly.

- Material: Aluminum alloy
- Finish: Sandblasting anode
- Uses: LED testing equipment, semiconductor equipment, automation equipment, etc.

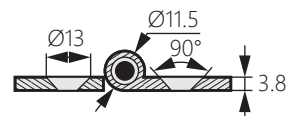
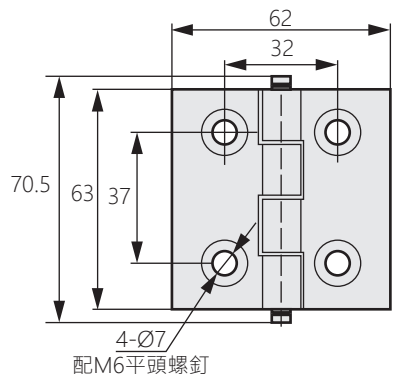
[ OH-135-1 ]



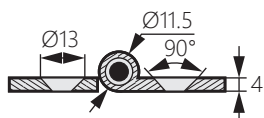
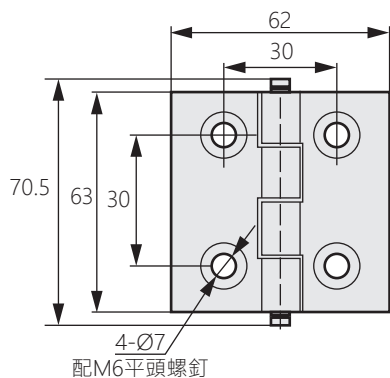
[ OH-135-2 ]



[ OH-135-3 ]



[ OH-135-4 ]



[ OH-135-5 ]

