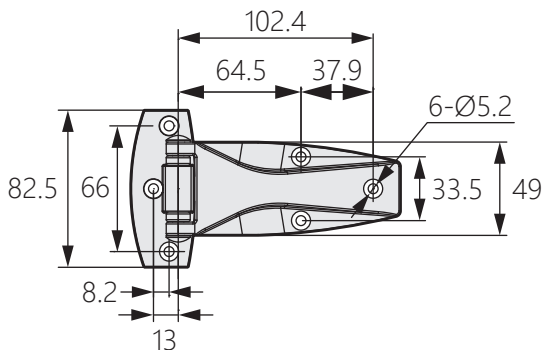


不鏽鋼重承載型鉸鏈

Stainless steel heavy-duty hinge



OH-14282



商品介紹 Product description

1. 具有良好的耐久性及抗腐蝕能力。
2. 配置墊圈，使鉸鍊無間隙，可防止裝上門板後因負載重量而產生的傾斜，適用較重型的門板。

- 材質：不鏽鋼304、墊圈：PA66
- 表面處理：鏡面拋光
- 用途：大型貨櫃門、工業五金用

1. Has good durability and corrosion resistance.
2. Configure washers to eliminate gaps in the hinge, preventing sagging caused by the weight of the door panel once installed. Suitable for heavier door panels.

- Material: Stainless steel 304、Washer:PA66
- Finish: Mirror polishing
- Uses: For large container doors, industrial hardware.

