

# 冷藏櫃鉸鍊



## OH-1470

### Freezer hinge

### 商品介紹 Product description

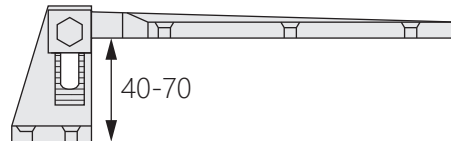
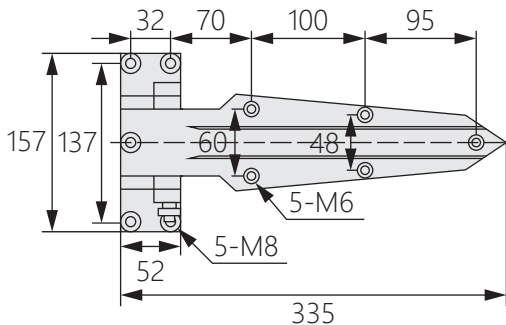
- 1.最大開啟角度180度。
- 2.凸門結構設計，適合安裝於凸門的箱體。
- 3.帶鉸鏈蓋，安裝後無痕跡。
- 4.左右兼用型。



- 材質：鋅合金(ZDC)、不鏽鋼
- 表面處理：鍍亮鉻
- 用途：冷凍冷藏櫃、廚房設備等

1. The maximum opening angle is 180 degrees.
2. Protruding door structure design, suitable for enclosures with protruding doors.
3. With hinge cover, leaves no trace after installation.
4. Both left and right use type.

- Material: Zinc alloy(ZDC) 、Stainless steel
- Finish: Bright chrome
- Uses: Freezer refrigerators,kitchen equipment,etc.



商品型號	材質	安裝高度
OH-1470-1	不鏽鋼	40-70
OH-1470-2	鋅合金	40-70