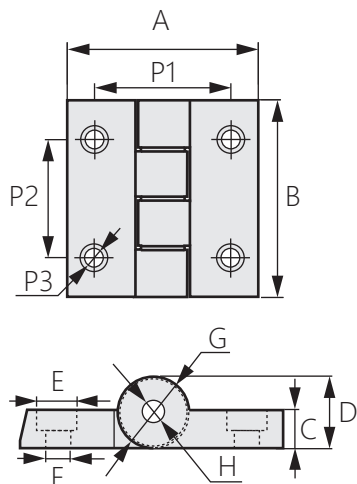


鋁合金重承載型合頁



OH-208

Aluminum alloy heavy duty hinge



商品介紹 Product description

配置墊圈，使鉸鍊無間隙，可防止裝上門板後因負載重量而產生的傾斜。

- 材質：主體-鋁合金、插銷-不鏽鋼
- 表面處理：陽極處理黑色
- 用途：視設計情況使用

Using washers to eliminate gaps in hinges prevents tilting due to door weight after installation.

- Material: Main body-Aluminum alloy
Latch – Stainless steel
- Finish: Anodized black
- Uses: Use according to design.

商品型號	A	B	C	D	E	F	G	H	P1	P2	P3
OH-208-1		90									M6
OH-208-2	70	75	10	19.5	10.5	6.5	18		47	54.5	M6
OH-208-3								6		30	M6
OH-208-4		50									M5
OH-208-5	40	30	6.5	13.5	9	5.5	13		26	16	M6