

不鏽鋼合頁

Stainless steel hinge

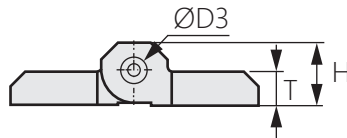
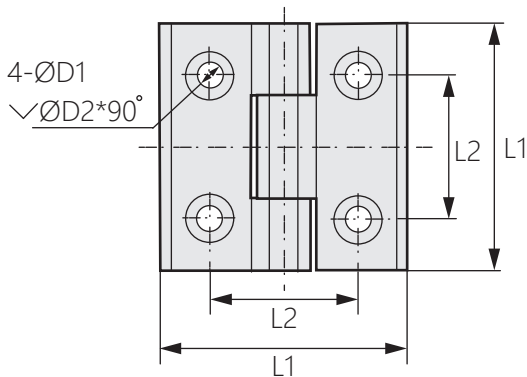


OH-2130



商品介紹 Product description

- 材質：不鏽鋼304.316.321
 - 表面處理：鏡光、拉絲
 - 用途：交通車輛、工業設備等
-
- Material: Stainless steel 304.316.321
 - Finish: Mirror light, brushed
 - Uses: Transportation vehicles, industrial equipment, etc.
-



商品型號	L1	L2	H	D1	D2	D3	T
OH-2130-1	60	36	12.5	6.5	11.5	6	6
OH-2130-2	50	30	10.5				
OH-2130-3	40	25	9	5.5	10	4	5