

# 外露式鉸鍊



## OH-225

Exposed hinge

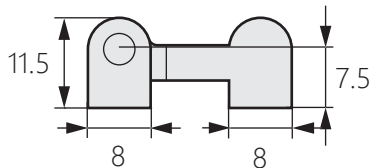
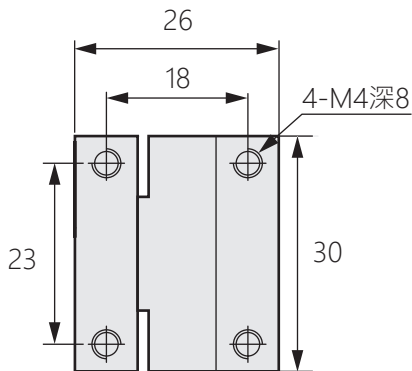
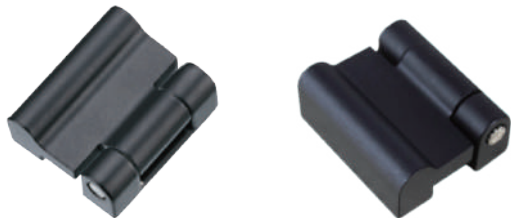
商品介紹 Product description

備有多種樣式，適用於不同需求。

- 材質：鋅合金
- 表面處理：黑色塗裝
- 用途：電子設備外殼、工業機箱等

Available in various styles to suit different needs.

- Material: Zinc alloy(ZDC)
- Finish: Black painting
- Uses: Electronic equipment shells, industrial chassis, etc.



安裝示意圖

