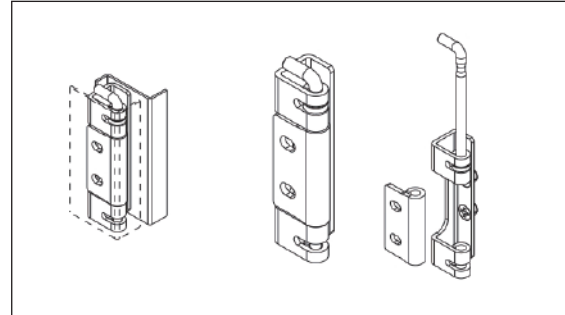


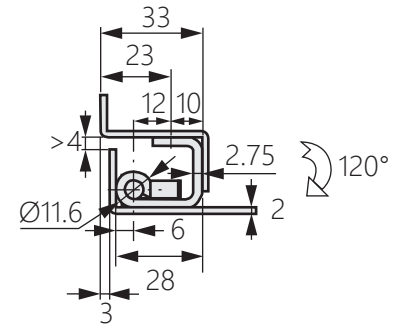
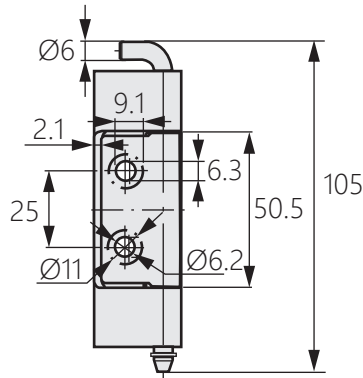
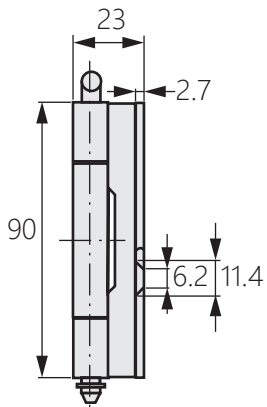
商品介紹 Product description

- 材質：不鏽鋼、鋼材
- 備註：型號OH-2408-數字-S 為不鏽鋼
型號OH-2408-數字-ST 為鐵

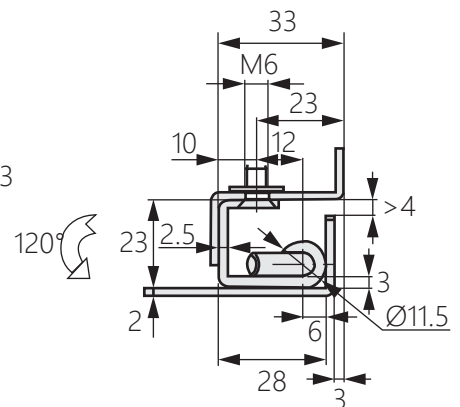
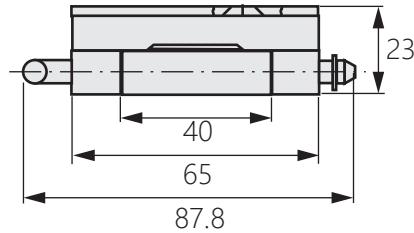
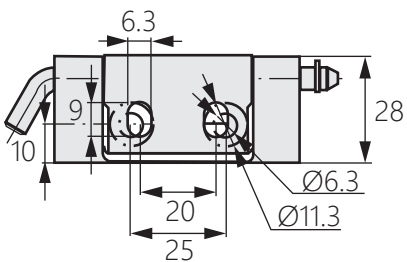
- Material: Stainless steel, steel
- Notes: Model OH-2408-Number-S is stainless steel
Model OH-2408-Number-ST is iron



[OH-2408-1]



[OH-2408-2]



[OH-2408-3]

