

隱藏式合頁



OH-256

Hidden hinge

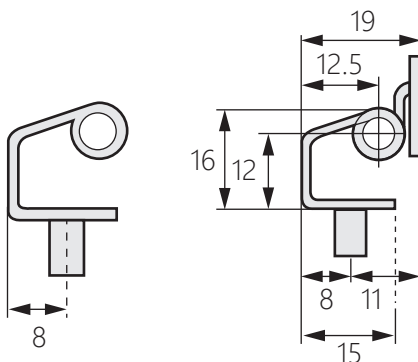
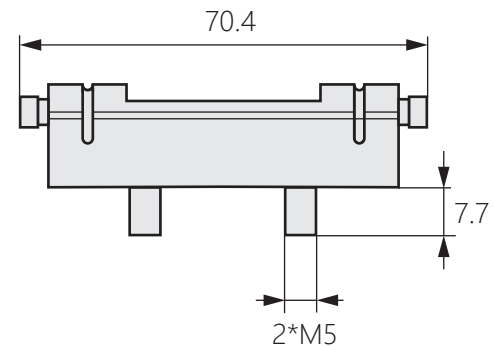
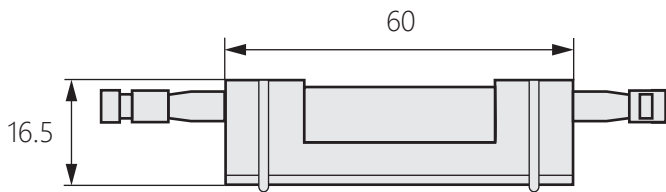
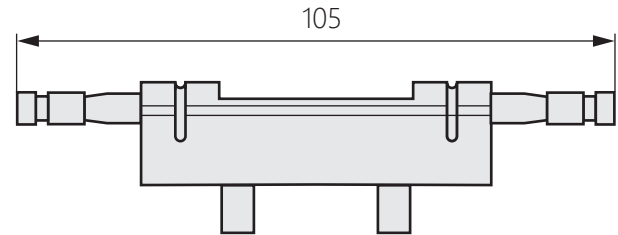
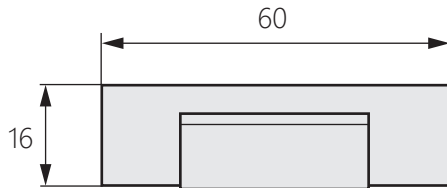
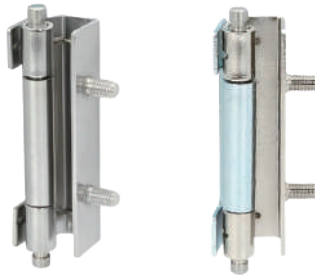
商品介紹 Product description

- 1.門可快速地且輕鬆的卸下。
- 2.隱藏式安裝硬件，確保外觀簡約。

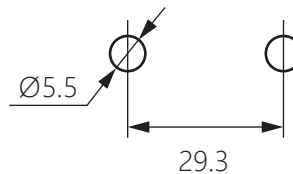
- 材質：鋼鐵、不鏽鋼
- 用途：電子設備外殼、工業機箱等

1. The door can be removed quickly and easily.
2. Hidden installation hardware to ensure a simple appearance.

- Material: Iron、Stainless steel
- Uses: Electronic equipment housing, industrial chassis, etc.



開孔尺寸



商品型號	材質
OH-256-1	鋼鐵
OH-256-2	不鏽鋼