

# 尼龍蝶型合頁



## OH-265

Plastic butt hinge

商品介紹 Product description

安裝簡單易明·節省成本。

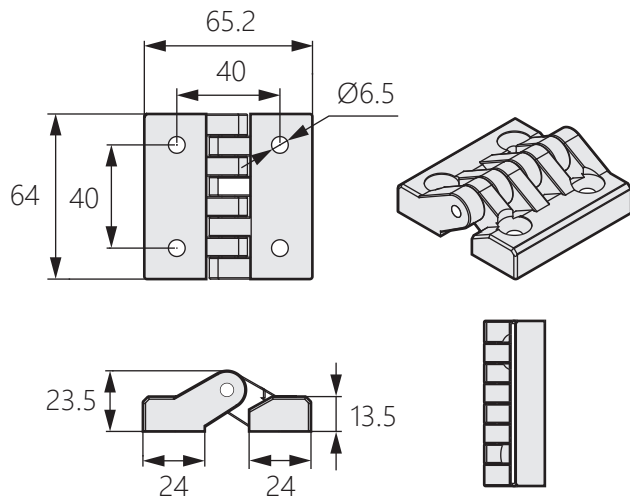
- 材質：尼龍玻璃纖維
- 表面處理：黑色塗裝
- 用途：電子設備外殼、工業機箱等

The installation is simple and easy to understand ,saving costs.

- Material: PA
- Finish: Black painting
- Uses: Electronic equipment housing, industrial chassis, etc.



[OH-265-1]



[OH-265-2]

