

Adjustable torque position control hinge

商品介紹 Product description

[OH-272-1]



[OH-272-2]



[OH-272-3]



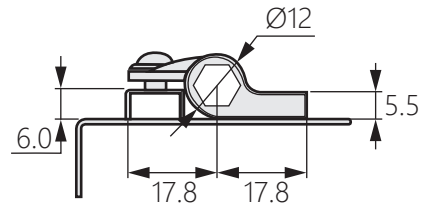
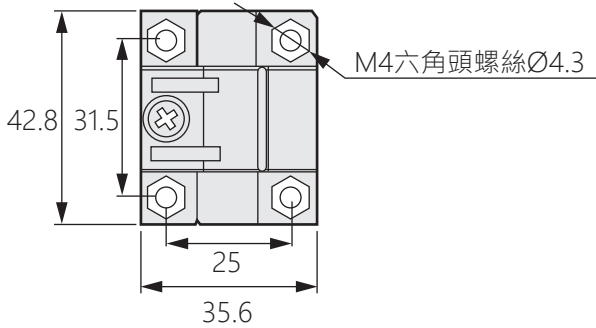
1. 用戶調節操作力。
2. 隱藏式安裝。
3. 以螺絲起子調整阻尼力，使門板於開啟時，固定在任意角度。
4. 防腐材料。

- 材質：主體-塑鋼、轉軸-聚碳酸脂
- 表面處理：黑色塗裝
- 用途：電子設備外殼、工業工箱等

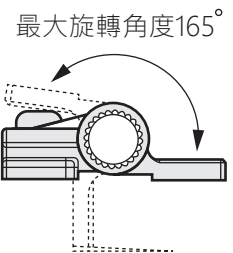
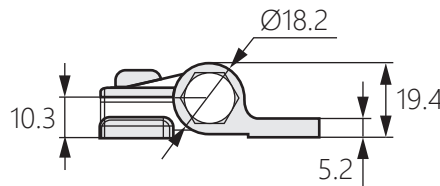
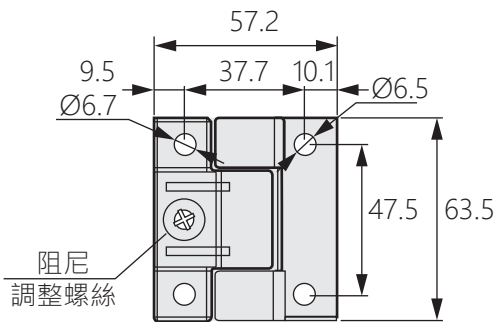
1. The user adjusts the operating force.
2. Hidden installation.
3. Use a screwdriver to adjust the damping force so that the door panel is fixed at any angle when it is opened.
4. Anti-corrosion materials.

- Material: Main body-FRP、PIN-PC
- Finish: Black painting
- Uses: Electronic equipment shells, industrial work boxes, etc.

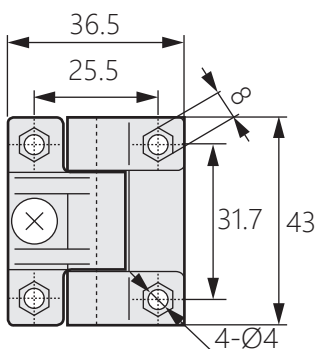
[OH-272-1] 六角孔



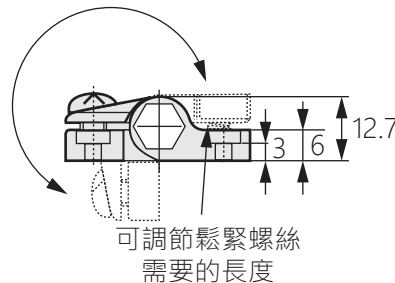
[OH-272-2] 圓形孔



[OH-272-3] 六角孔



開合角度270°



安裝示意圖

