

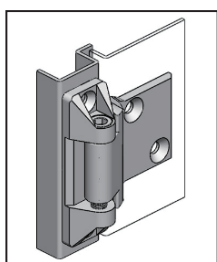
### Removal spring loaded hinge



[OH-282-1]

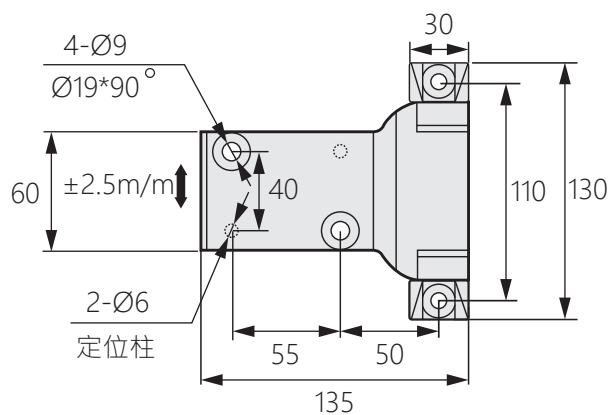


[OH-282-2]

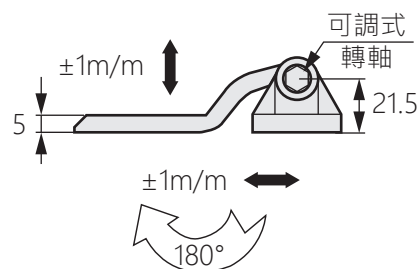
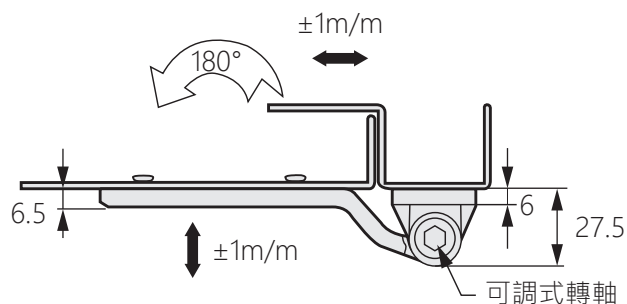
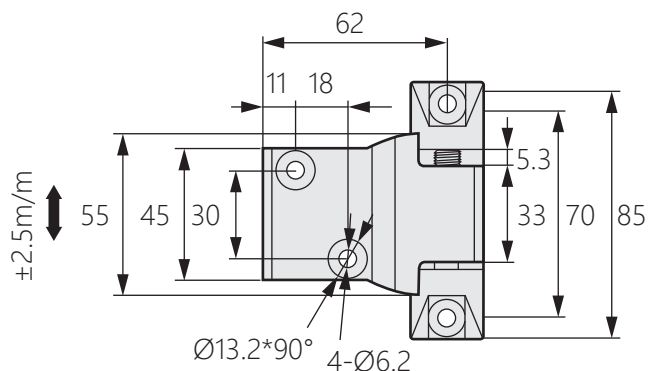


安裝示意圖

[OH-282-1R/L]



[OH-282-2R/L]



### 商品介紹 Product description

1. 重承載型。
2. 調整轉軸，可微調上下左右各個尺寸。

- 材質：本體-鋅合金、軸-不鏽鋼
- 表面處理：黑色塗裝
- 用途：機櫃、配分電盤、機械設備等

1. Heavy load type.
2. Adjust the hinge to fine-tune the hinge's top, bottom, left and right dimensions.

- Material: Main body-Zinc alloy, shaft-Stainless steel
- Finish: Black paint
- Uses: Cabinets, distribution boards, mechanical equipment.