

# 鋅合金平面鉸鍊

Zinc alloy flat hinge



**OH-330**



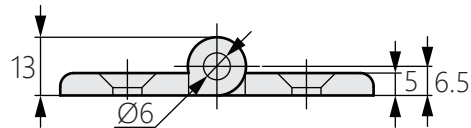
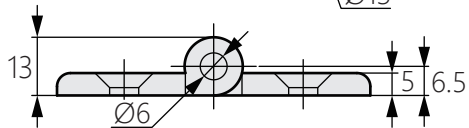
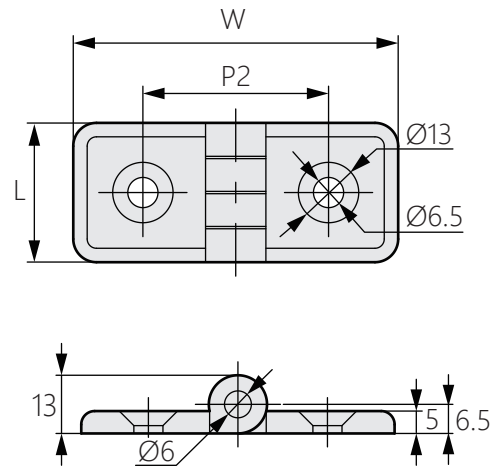
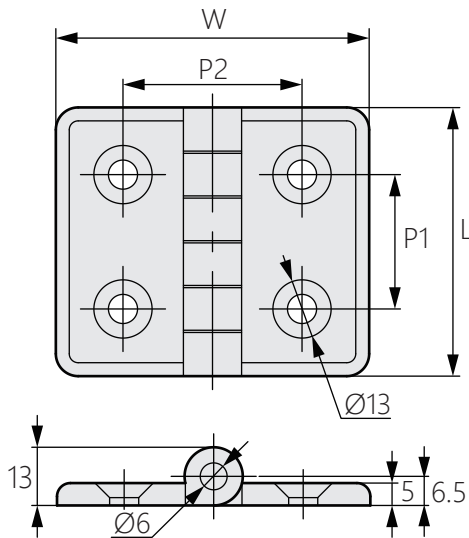
商品介紹 Product description

易於安裝。

- 材質：鋅合金(ZDC)
- 表面處理：鍍鉻、鍍亮鉻、黑色
- 用途：機床、工業機械等

Easy to mount.

- Material: Zinc alloy(ZDC)
- Finish: Chrome plating, bright chrome, black
- Uses: Machine tools, industrial machinery, etc.



- [ OH-330-1-1 ] [ OH-330-1-2 ]
- [ OH-330-2-1 ] [ OH-330-2-2 ]
- [ OH-330-3-1 ] [ OH-330-3-2 ]

- [ OH-330-1-3 ] [ OH-330-1-4 ]
- [ OH-330-2-3 ] [ OH-330-2-4 ]
- [ OH-330-3-3 ] [ OH-330-3-4 ]

商品型號	材質	W	L	P1	P2	荷重 (kgf)
OH-330-1-1	鍍鉻	70	60	30	40	17
OH-330-1-2		60			30	5
OH-330-1-3		70	30	-	40	12
OH-330-1-4		60			30	6
OH-330-2-1	鍍亮鉻	70	60	30	40	17
OH-330-2-2		60			30	5
OH-330-2-3		70	30	-	40	12
OH-330-2-4		60			30	6
OH-330-3-1	黑色	70	60	30	40	17
OH-330-3-2		60			30	5
OH-330-3-3		70	30	-	40	12
OH-330-3-4		60			30	6