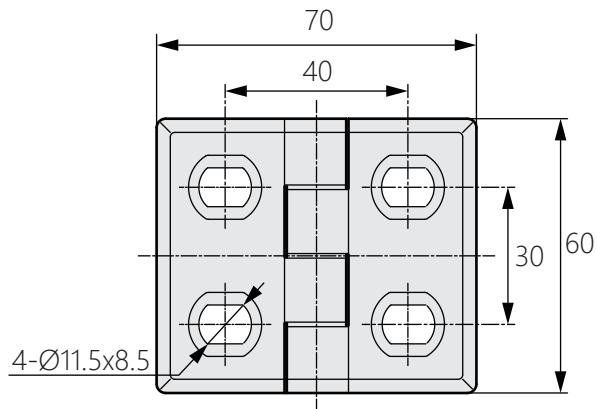


鋅合金平面鉸鍊

Zinc alloy flat hinge



OH-334



商品介紹 Product description

易於安裝。

- 材質：鋅合金(ZDC)
- 表面處理：鍍鉻
- 用途：機床、工業機械等

Easy to mount.

- Material: Zinc alloy(ZDC)
- Finish: Chrome plating
- Uses: Machine tools, industrial machinery, etc.

