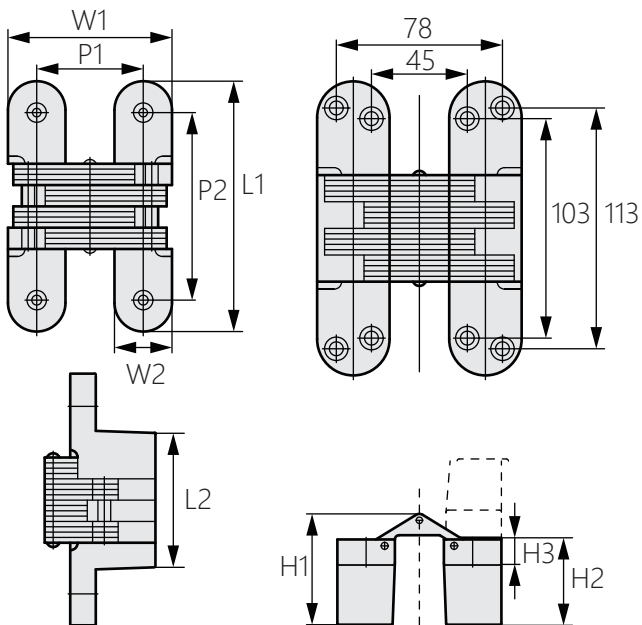
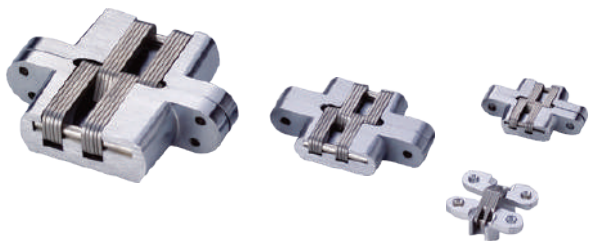


隱藏式鉸鍊

Concealed hinge



OH-335



商品介紹 Product description

由不銹鋼製成，經久耐用且耐腐蝕。

- 材質：不銹鋼(SUS304)
- 表面處理：髮絲拋光
- 用途：機床、工業機械等

Made of stainless steel for durability and corrosion resistance.

- Material: Stainless(SUS304)
- Finish: Hairline polishing
- Uses: Machine tools, industrial machinery, etc.

| 商品型號 | L1 | L2 | W1 | W2 | H1 | H2 | H3 | P1 | P2 |
|----------|-----|------|------|------|------|------|------|----|------|
| OH-335-1 | 45 | 18 | 34 | 12.5 | 25 | 18.5 | 5 | 21 | 31 |
| OH-335-2 | 60 | 30 | | 12 | | 18 | 6 | | 47 |
| OH-335-3 | 70 | 32 | 43.5 | 16 | 29 | 22 | 7 | 27 | 51 |
| OH-335-4 | 95 | 50 | 50 | 18.5 | 35.5 | 27 | 9 | 30 | 74 |
| OH-335-5 | 117 | 63 | 66 | 24 | 49 | 36 | 11 | 42 | 91.5 |
| OH-335-6 | 140 | 72.5 | 96 | 34 | 63.5 | 50 | 11.5 | - | - |